

### RD104

Dana 30,30 SPL,3.73 & UP

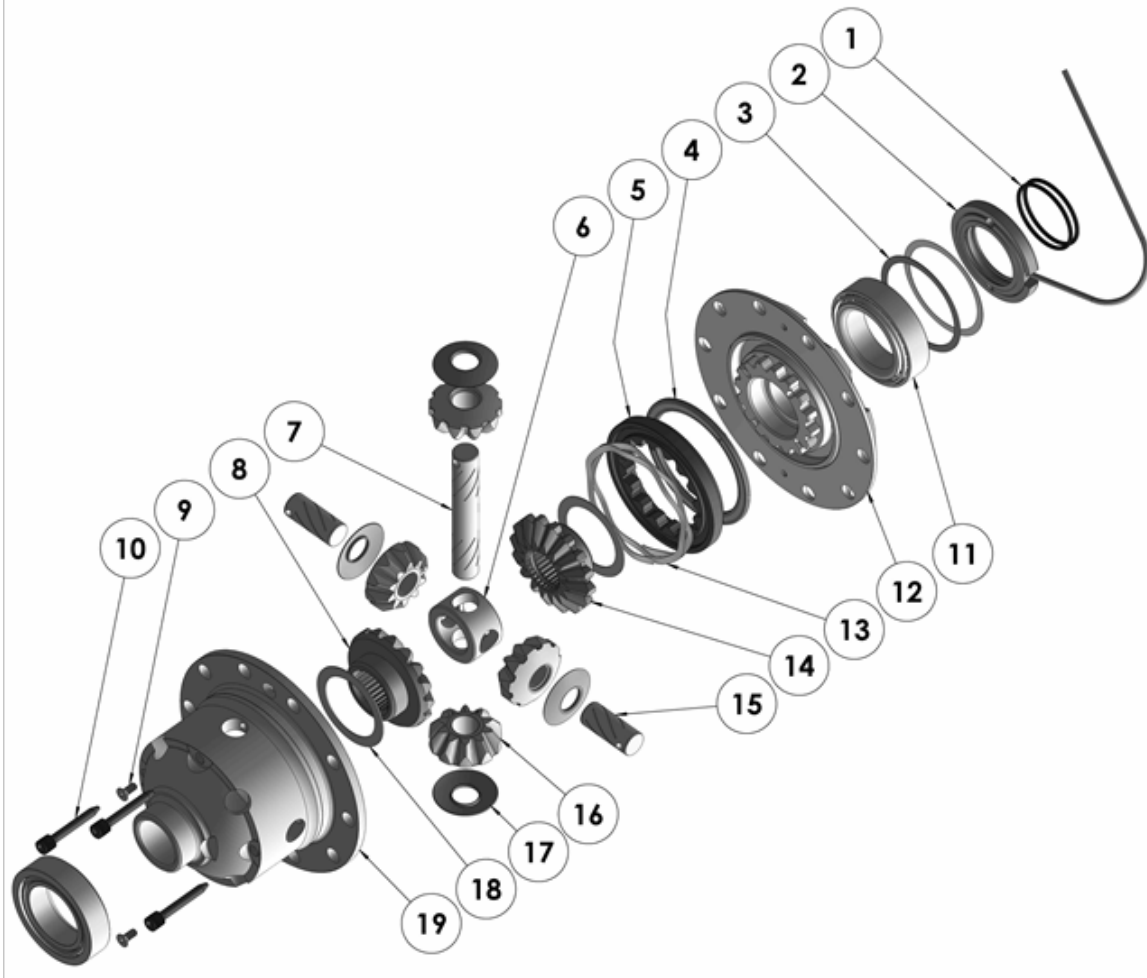
### PARTS LIST

| ITEM # | QTY | DESCRIPTION                       | PART #   | NOTES |
|--------|-----|-----------------------------------|----------|-------|
| 1      | 1   | SEAL HOUSING O-RINGS (PK OF 2)    | 160235SP | 1     |
| 2      | 1   | SEAL HOUSING KIT                  | 081801SP |       |
| 3      | 2   | SHIM KIT                          | SHK003   |       |
| *      | 2   | MASTER SHIM                       | 150325   |       |
| 4      | 1   | BONDED SEAL                       | 160701SP |       |
| 5      | 1   | CLUTCH GEAR & WAVESPRING KIT      | 050903SP |       |
| 6      | 1   | SPIDER BLOCK                      | 070503SP |       |
| 7      | 1   | LONG CROSS SHAFT                  | 061302SP |       |
| 8      | 1   | SIDE GEAR                         | SEE NOTE | 3     |
| 9      | 1   | COUNTERSUNK SCREW (PK OF 2)       | 200213SP |       |
| 10     | 3   | RETAINING PIN SET (PK OF 4)       | 120601SP |       |
| 11     | 2   | TAPERED ROLLER BEARING            | 160109   | 2     |
| 12     | 1   | FLANGE CAP KIT                    | 028502SP |       |
| 13     | 1   | WAVESPRING                        | 150702SP |       |
| 14     | 1   | SPLINED SIDE GEAR                 | SEE NOTE | 3     |
| 15     | 2   | SHORT CROSS SHAFT                 | 061402SP |       |
| 16     | 4   | PINION GEAR                       | SEE NOTE | 3     |
| 17     | 4   | PINION THRUST WASHER              | SEE NOTE | 4     |
| 18     | 2   | SIDE GEAR THRUST WASHER           | SEE NOTE | 4     |
| 19     | 1   | DIFFERENTIAL CASE                 | 013102SP |       |
| *      | 1   | BULKHEAD FITTING KIT (BANJO TYPE) | 170114   | 5     |
| *      | 1   | AIR LINE (6mm DIA X 6m LONG)      | 170314SP | 5     |
| *      | 1   | SOLENOID VALVE (12V)              | 180103   |       |
| *      | 1   | SWITCH                            | 180209SP |       |
| *      | 1   | SWITCH COVER (FRONT)              | 180210SP |       |
| *      | 1   | CABLE TIE (PK OF 25)              | 180305   |       |
| *      | 1   | OPERATING & SERVICE MANUAL        | 210200   |       |
| *      | 1   | INSTALLATION GUIDE                | 2102104  |       |

\* *Not illustrated in exploded view*

### NOTES

- 1 For replacement O-rings use only BS133 Viton 75.
- 2 For replacement bearing use Timken part # LM102949 / LM102910.
- 3 Available only as complete 6 gear set # 728J031
- 4 Available only as complete thrust washer kit #730J01
- 5 All diffs produced before serial #17070001 came with 5mm air connection system. For information contact ARB.
- Bearing cap torque does not apply to aluminium housings. Refer to vehicle's service manual for correct torque value.
- 30 spline Dana 30 is a performance upgrade requiring aftermarket axle shafts.

**EXPLODED DIAGRAM****SPECIFICATIONS**

|                    |                              |
|--------------------|------------------------------|
| Axle Spline        | 30 tooth, Ø33.3mm [1.31"]    |
| Ratio Supported    | 3.73:1 & up                  |
| Ring Gear ID       | 114.3mm [4.50"]              |
| Ring Gear OD       | 183mm [7.2"]                 |
| Ring Gear Bolts    | 10 bolts on Ø133mm [5.25"]   |
| Ring Gear Torque   | 75Nm [55 ft-lb]              |
| Backlash           | 0.15-0.25mm [0.006-0.010"]   |
| Bearing Cap Torque | 81Nm [60 ft-lb] (see note 3) |