

RD107

Nissan C200/R200A,29 SPL

****THIS MODEL WAS SUPERSEDED BY RD202, CROSSED OUT PARTS NOT AVAILABLE**

PARTS LIST

| ITEM # | QTY | DESCRIPTION | PART # | NOTES |
|--------|-----|------------------------------------|--------------|-------|
| 01 | 1 | FLANGE CAP | 020403 | |
| 02 | 1 | CLUTCH GEAR | 050402 | |
| 03 | 1 | DIFFERENTIAL CASE | 040405 | |
| 04 | 1 | RETURN SPRINGS (PK OF 4) | 150101SP | |
| 05 | 1 | RETAINING PIN SET (PK OF 2) | 120102SP | |
| * | 1 | RETAINING PIN SET (PK OF 2) | 120302SP | |
| 06 | 4 | SHORT CROSS SHAFT | 060308 | |
| 07 | 1 | S GEAR THRUST WASHER (PK OF 2) | 151003SP | |
| 08 | 1 | PISTON | 040103SP | |
| 09 | 1 | BONDED SEAL | 160701SP | |
| 10 | 1 | CYLINDER CAP | 030423 | |
| 11 | 1 | SEAL HOUSING O-RINGS (PK OF 2) | 160208SP | 1 |
| 12 | 1 | CYL CAP RETAINING BOLT (PK OF 8) | 200205SP | |
| 13 | 1 | LOCKING TAB (8mm) (PK OF 8) | 150401SP | |
| 14 | - | TAPERED ROLLER BEARING | NOT SUPPLIED | |
| 15 | 1 | SEAL HOUSING KIT | 080802SP | |
| 16 | 1 | SHIM KIT | SHK009 | |
| * | 1 | MASTER SHIM | 150305 | |
| 17 | 1 | SPLINED SIDE GEAR | SEE NOTE | 2 |
| 18 | 1 | PINION THRUST WASHER (PK OF 4) | 151101SP | |
| 19 | 4 | PINION GEAR | SEE NOTE | 2 |
| 20 | 1 | SPIDER BLOCK | 070101SP | |
| * | 1 | THRUST BLOCK (THREADED) | 110401SP | |
| 21 | 1 | THRUST BLOCK | 110501SP | |
| 22 | 1 | SIDE GEAR | SEE NOTE | 2 |
| * | 1 | BULKHEAD FITTING KIT (O-RING TYPE) | 170111 | |
| * | 1 | PUSH-IN FITTING (5mm to 1/8" BSPP) | 170201SP | |
| * | 1 | AIR LINE (5mm DIA X 6m LONG) | 170301SP | |
| * | 1 | SOLENOID VALVE (12V) | 180103 | |
| * | 1 | SWITCH | 180209SP | |
| * | 1 | SWITCH COVER (REAR) | 180211SP | |
| * | 1 | SWITCH COVER (FRONT) | 180210SP | |
| * | 1 | CABLE TIE (PK OF 25) | 180305 | |
| * | 1 | OPERATING & SERVICE MANUAL | 210200 | |
| * | 1 | INSTALLATION GUIDE | 2102107 | |

* *Not illustrated in exploded view*

NOTES

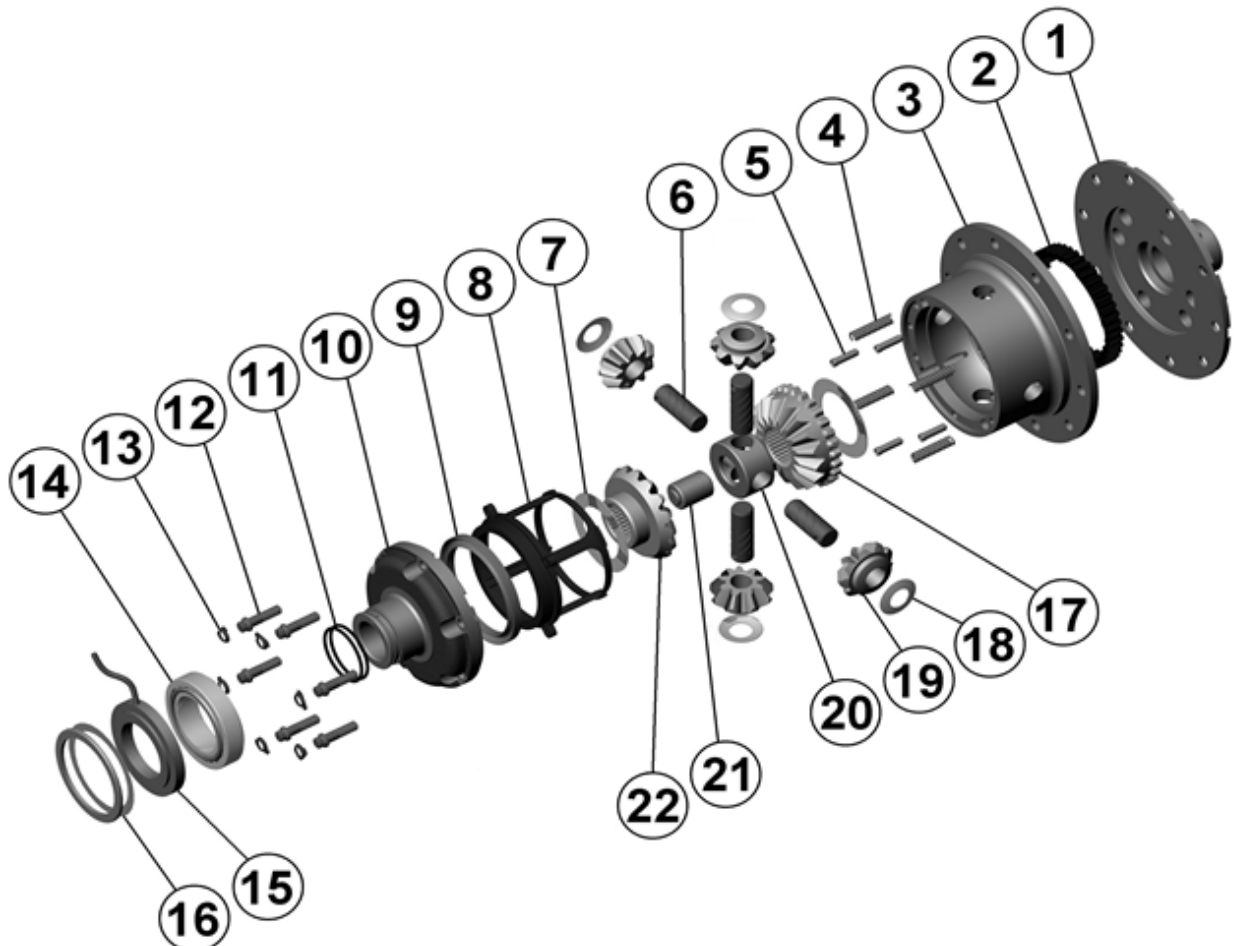
- 1 For replacement O-rings use only BS030 Viton 75.
- 2 Available only as complete 6 gear set # 728B074
- When used with 10mm ring gear bolts, adapter sleeves of the following size are required:
 Outside: Ø12.25mm [0.482"]
 Inside: Ø10.45mm [0.411"]
 Length: 10mm [0.39"]
 Bolt Torque: 74Nm [55 ft-lb]
- Refer to axle modification tech note ([Section 5.4](#)) if axle binds inside carrier.

RD107

Nissan C200/R200A,29 SPL

****THIS MODEL WAS SUPERSEDED BY RD202, CROSSED OUT PARTS NOT AVAILABLE**

EXPLODED DIAGRAM



SPECIFICATIONS

| | |
|---------------------|----------------------------|
| Axle Spline | 29 tooth, Ø30.4mm [1.20"] |
| Ratio Supported | All |
| Ring Gear ID | 128.0mm [5.04"] |
| Ring Gear Bolts | 10 bolts on Ø150mm [5.91"] |
| Ring Gear Bolt Size | 12mm |
| Ring Gear Torque | 120Nm [89 ft-lb] |
| Backlash | 0.13-0.18mm [0.005-0.007"] |
| Bearing Cap Torque | 93Nm [69 ft-lb] |

ARB Corporation Ltd • 42-44 Garden St Kilsyth VIC 3137 Australia
ARB 4X4 Accessories USA • 720 SW 34th St Renton WA 98057 USA
Australia & International Customer Service • +61 3 9761 6622
North America Customer Service • Toll Free 866 293 9078
www.arb.com.au (AUS & Int) www.arbusa.com (N. America)

