

RD129

Toyota Tacoma,RR

PARTS LIST

ITEM #	QTY	DESCRIPTION	PART #	NOTES
01	1	SEAL HOUSING O-RINGS (PK OF 2)	160207SP	1
02	1	SEAL HOUSING KIT	081807SP	
03	1	SHIM KIT	SHK009	
*	1	MASTER SHIM	150305	
04	1	BONDED SEAL	160702SP	
05	1	CLUTCH GEAR & WAVESPRING KIT	050906SP	
06	1	SPIDER BLOCK	070201SP	
07	1	LONG CROSS SHAFT	060204SP	
08	1	SIDE GEAR	SEE NOTE	2
09	1	COUNTERSUNK SCREW (PK OF 2)	200213SP	
10	1	RETAINING PIN SET (PK OF 4)	120601SP	
11	2	TAPERED ROLLER BEARING	NOT SUPPLIED	
12	1	FLANGE CAP KIT	027313SP	
13	1	WAVESPRING	150706SP	
14	1	SPLINED SIDE GEAR	SEE NOTE	2
15	2	SHORT CROSS SHAFT	060403SP	
16	4	PINION GEAR	SEE NOTE	2
17	4	PINION THRUST WASHER	SEE NOTE	3
18	2	SIDE GEAR THRUST WASHER	SEE NOTE	3
19	1	DIFFERENTIAL CASE	013013SP	
*	1	BULKHEAD FITTING KIT (BANJO TYPE)	170114	4
*	1	AIR LINE (6mm DIA X 6m LONG)	170314SP	4
*	1	SOLENOID VALVE (12V)	180103	
*	1	SWITCH	180209SP	
*	1	SWITCH COVER (REAR)	180211SP	
*	1	CABLE TIE (PK OF 25)	180305	
*	1	OPERATING & SERVICE MANUAL	210200	
*	1	INSTALLATION GUIDE	2102129	

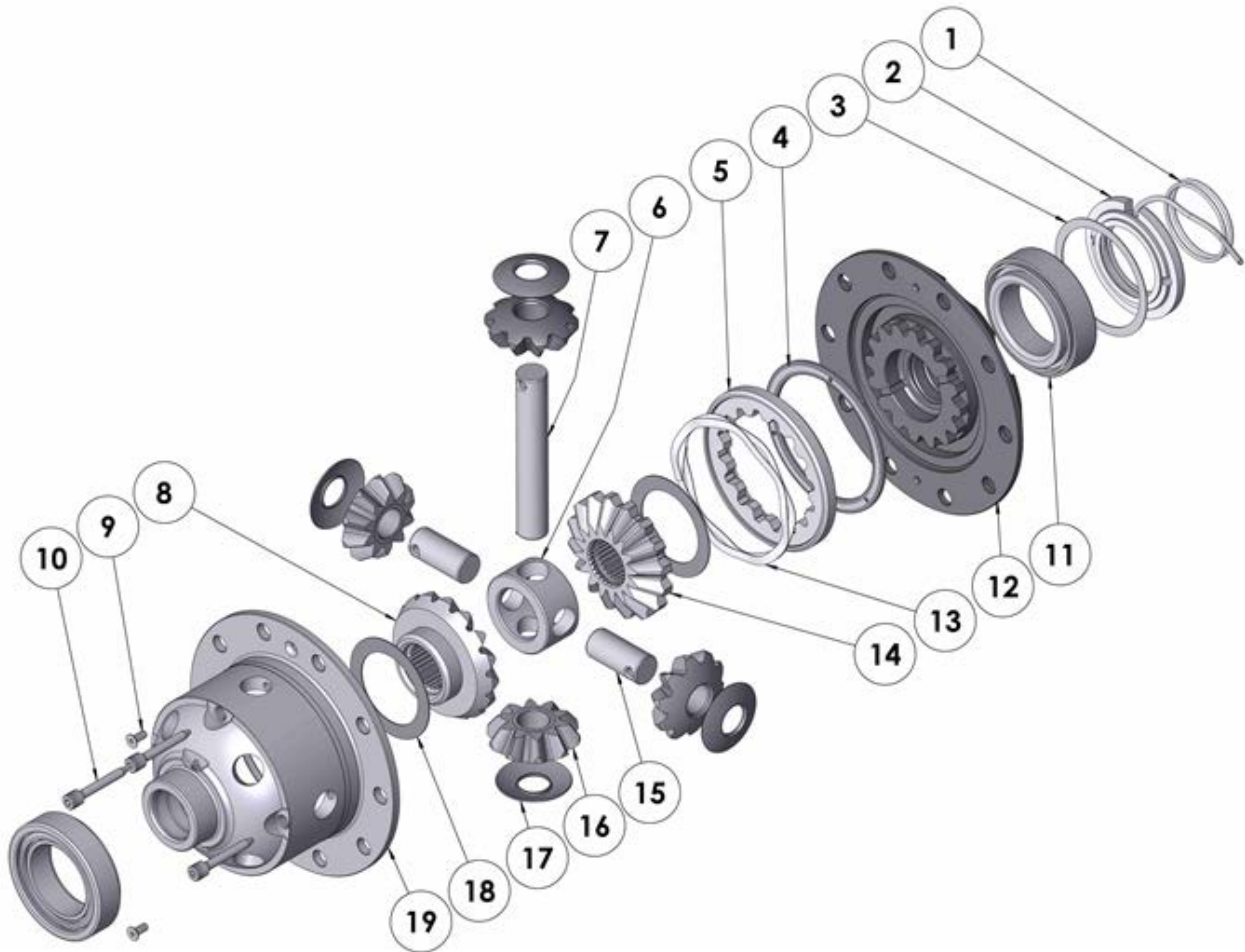
* *Not illustrated in exploded view*

NOTES

- 1 For replacement O-rings use only BS136 Viton 75.
- 2 Available only as complete 6 gear set # 728H111
- 3 Available only as complete thrust washer kit #730H01
- 4 All diffs produced before serial #17070001 came with 5mm air connection system. For information contact ARB.

RD129

Toyota Tacoma,RR

EXPLODED DIAGRAM**SPECIFICATIONS**

Axle Spline	30 tooth, Ø33.0mm [1.30"]
Ratio Supported	All
Ring Gear ID	127.5mm [5.02"]
Ring Gear OD	213mm [8.4"]
Ring Gear Bolts	12 bolts on Ø152mm [5.98"]
Ring Gear Torque	96Nm [71 ft-lb]
Backlash	0.13-0.18mm [0.005-0.007"]
Bearing Cap Torque	85Nm [63 ft-lb]

ARB Corporation Ltd • 42-44 Garden St Kilsyth VIC 3137 Australia
ARB 4X4 Accessories USA • 720 SW 34th St Renton WA 98057 USA
Australia & International Customer Service • +61 3 9761 6622
North America Customer Service • Toll Free 866 293 9078
www.arb.com.au (AUS & Int) www.arbusa.com (N. America)