

RD176

Dana 70X/80X,40 SPL,Low Speed

PARTS LIST

ITEM #	QTY	DESCRIPTION	PART #	NOTES
1	2	TAPERED ROLLER BEARINGS	NOT SUPPLIED	
2	1	SEAL HOUSING O-RINGS (PK OF 2)	160251SP	1
3	1	SEAL HOUSING KIT	082107SP	3
4	1	SEAL HOUSING BRACKET	220212	
5	1	FLANGE CAP KIT	028618SP	3
6	4	PINION GEAR THRUST WASHER	SEE NOTE	4
7	4	PINION GEAR	SEE NOTE	2
8	1	SPLINED SIDE GEAR	SEE NOTE	2
9	1	SPIDER BLOCK	070402SP	
10	1	SIDE GEAR	SEE NOTE	2
11	2	SIDE GEAR THRUST WASHER	SEE NOTE	4
12	1	DIFFERENTIAL CASE	013218SP	3
13	1	RETAINING PIN SET (PK OF 4)	120601SP	
14	1	COUNTERSUNK SCREW (PK OF 2)	200214SP	
15	2	MASTER SHIM (OD Ø104.5)	150357	
*	2	MASTER SHIM (OD Ø95.8)	150331	
16	1	BONDED SEAL	160706SP	
17	1	CLUTCH GEAR & WAVESPRING KIT	050909SP	
18	1	WAVESPRING	150705SP	
19	2	SHORT CROSS SHAFT	061601SP	
20	1	LONG CROSS SHAFT	061501SP	
*	1	SHIM KIT (OD Ø104.5)	SHK006	
*	1	SHIM KIT (OD Ø95.8)	SHK001	
*	1	BULKHEAD FITTING KIT (BANJO TYPE)	170114	5
*	1	AIR LINE (6mm DIA X 6m LONG)	170314SP	5
*	1	SOLENOID VALVE (12V)	180103	
*	1	SWITCH	180209SP	
*	1	SWITCH COVER (FRONT)	180210SP	
*	1	SWITCH COVER (REAR)	180211SP	
*	1	CABLE TIE (PK OF 25)	180305	
*	1	OPERATING & SERVICE MANUAL	210200	
*	1	INSTALLATION GUIDE	2102176	

* *Not illustrated in exploded view*

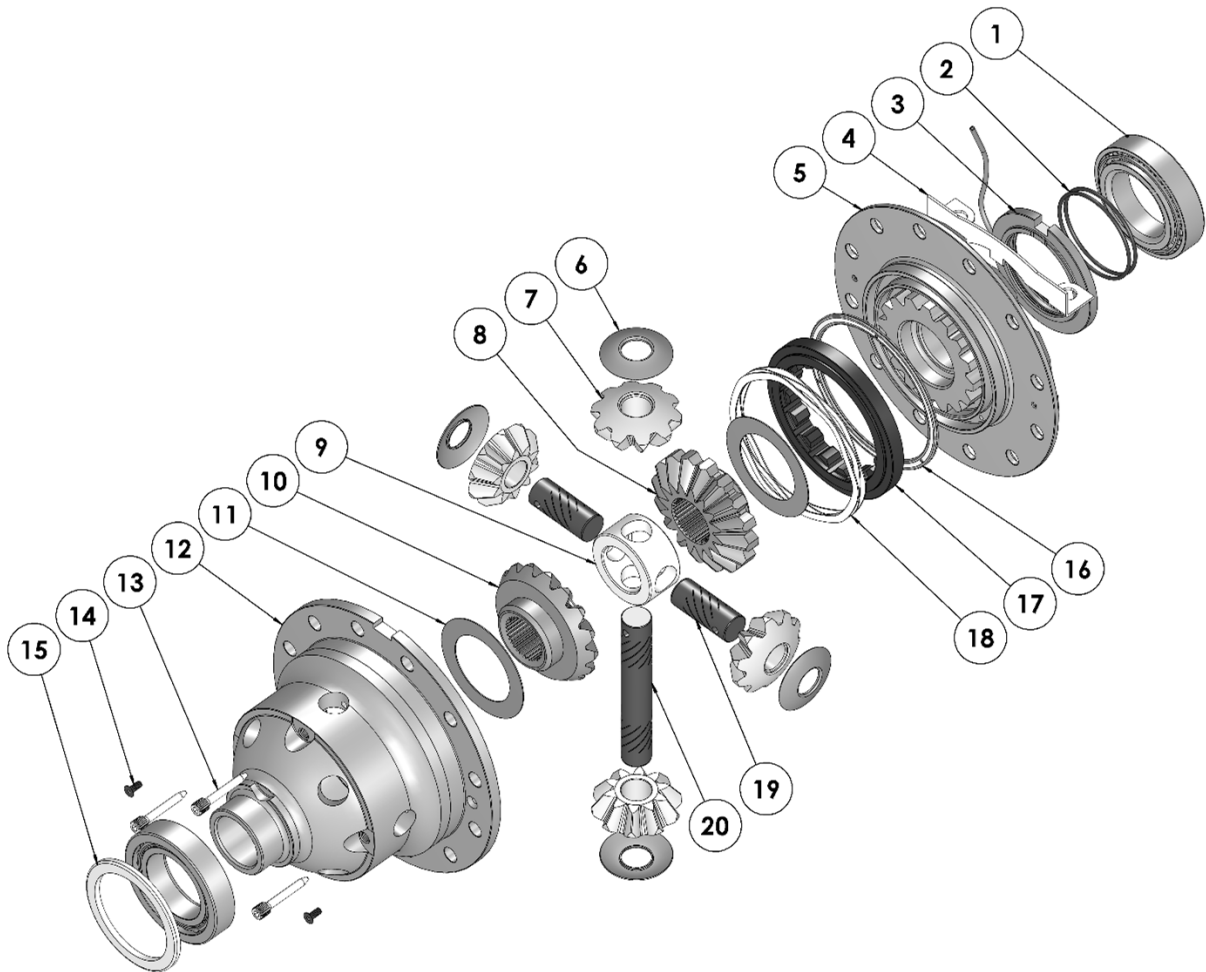
NOTES

- 1 For replacement O-rings use only BS149 Viton 75.
- 2 Available only as complete 6 gear set # 728K051
- 3 Diffs built pre June 2014 (serial numbers before 14060001) have 082106 Seal Housing, 013214 Case, and 028614 Flange Cap.
- 4 Available only as complete thrust washer kit #730K01
- 5 All diffs produced before serial #17070001 came with 5mm air connection system. For information contact ARB.
- For High Speed ratios please refer to RD177 ([Section 2.177](#))

RD176

Dana 70X/80X,40 SPL,Low Speed

EXPLODED DIAGRAM



SPECIFICATIONS

Axle Spline	40 tooth, Ø43.4mm [1.71"]
Ratio Supported	Varies
Ring Gear ID	174.9mm [6.89"]
Ring Gear OD	267mm [10.5"]
Ring Gear Bolts	12 bolts on Ø203mm [8.00"]
Ring Gear Torque	149Nm [110 ft-lb]
Backlash	0.15-0.25mm [0.006-0.010"]
Bearing Cap Torque	108Nm [80 ft-lb]

ARB Corporation Ltd • 42-44 Garden St Kilsyth VIC 3137 Australia
 ARB 4X4 Accessories USA • 720 SW 34th St Renton WA 98057 USA
 Australia & International Customer Service • +61 3 9761 6622
 North America Customer Service • Toll Free 866 293 9078
 www.arb.com.au (AUS & Int) www.arbusa.com (N. America)

