

RD20

Land Rover, Salisbury, 3.54:1

****THIS MODEL WAS SUPERSEDED BY RD161, CROSSED OUT PARTS NOT AVAILABLE**

PARTS LIST

ITEM #	QTY	DESCRIPTION	PART #	NOTES
01	1	FLANGE CAP	021101	
02	1	CLUTCH GEAR	050202	
03	1	DIFFERENTIAL CASE	011203	
04	1	RETURN SPRING (PK OF 4)	150101SP	
05	1	RETAINING PIN SET (PK OF 4)	120303SP	
06	1	LONG CROSS SHAFT	060205	
07	2	SHORT CROSS SHAFT	060402	
08	1	PISTON	040202SP	
09	1	BONDED SEAL	160705SP	
10	1	CYLINDER CAP	030503	
11	1	SEAL HOUSING O-RINGS (PK OF 2)	160207SP	1
12	1	CYL CAP RETAINING BOLT (PK OF 8)	200205SP	
13	1	LOCKING TAB (8mm) (PK OF 8)	150401SP	
14	1	TAPERED ROLLER BEARING	160107	2
15	1	SEAL HOUSING KIT	080701SP	
16	1	SHIM KIT	SHK001	
*	1	MASTER SHIM	150330	
17	1	SPLINED SIDE GEAR	SEE NOTE	3
18	1	PINION THRUST WASHER (PK OF 4)	151102SP	
19	4	PINION GEAR	SEE NOTE	3
20	1	SPIDER BLOCK	070201SP	
21	1	SIDE GEAR	SEE NOTE	3
22	1	S GEAR THRUST WASHER (PK OF 2)	151006SP	
*	1	BULKHEAD FITTING KIT (O-RING TYPE)	170111	
*	1	PUSH-IN FITTING (5mm to 1/8"BSPP)	170201SP	
*	1	AIR LINE (5mm DIA X 6m LONG)	170301SP	
*	1	SOLENOID VALVE (12V)	180103	
*	1	ACTUATOR SWITCH	180209SP	
*	1	SWITCH COVER (REAR)	180211SP	
*	1	CABLE TIE (PK OF 25)	180305	
*	1	OPERATING & SERVICE MANUAL	210200	
*	1	INSTALLATION GUIDE	210220	

* *Not illustrated in exploded view*

NOTES

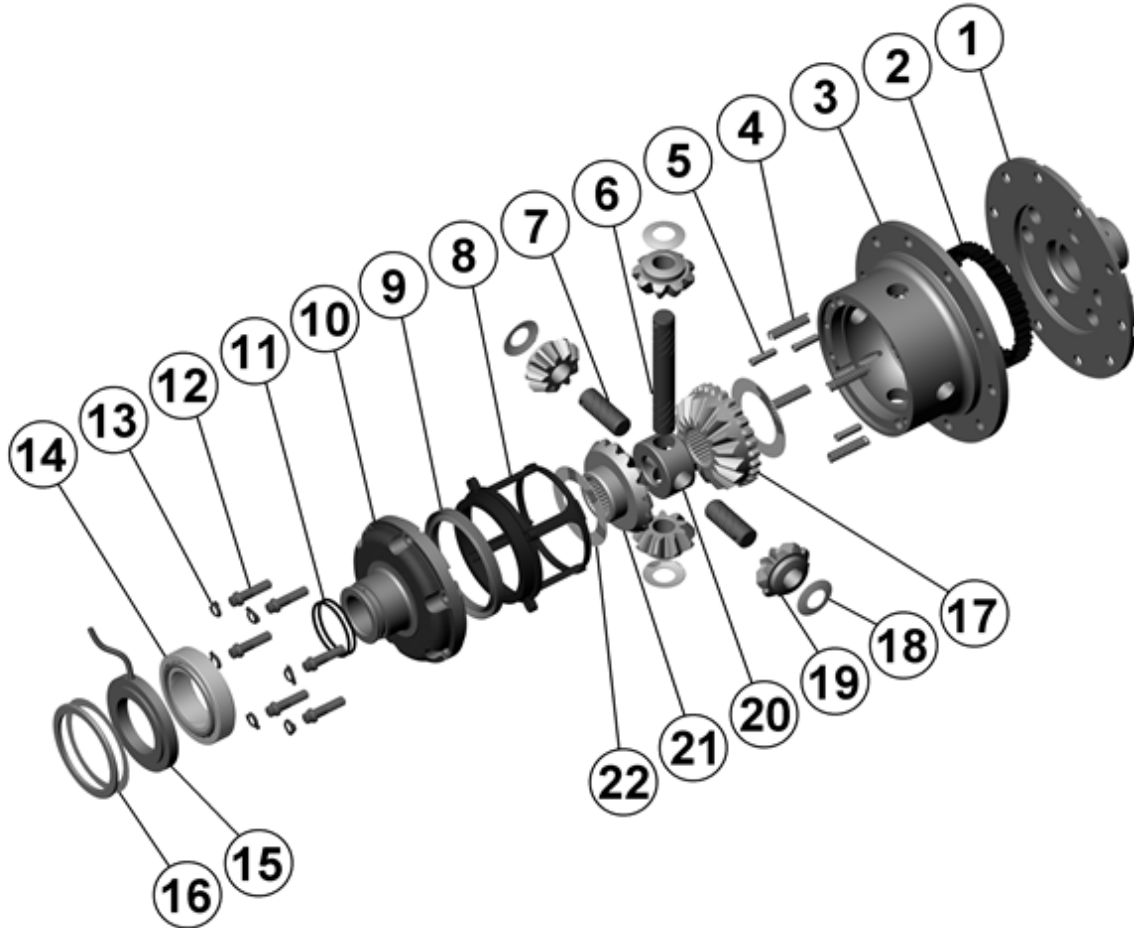
- 1 For replacement O-rings use only BS136 Viton 75.
- 2 For replacement bearing use Timken part # 387A / 382A.
- 3 Available only as complete 6 gear set # 728A051.
- For use with a ring and pinion ratio of 4.70:1 refer to RD32 (Section 2.32).
- For information on RD20 models with metal pistons, contact ARB.
- This axle suits Dana 60 cover assemblies.

RD20

Land Rover, Salisbury, 3.54:1

****THIS MODEL WAS SUPERSEDED BY RD161, CROSSED OUT PARTS NOT AVAILABLE**

EXPLODED DIAGRAM



SPECIFICATIONS

Axle Spline	24 tooth, Ø31.5mm [1.24"]
Ratio Supported	3.54:1
Ring Gear ID	162.0mm [6.38"]
Ring Gear Bolts	12 bolts on Ø191mm [7.50"]
Ring Gear Torque	136Nm [100 ft-lb]
Backlash	0.15-0.27mm [0.006-0.011"]
Bearing Cap Torque	134Nm [99 ft-lb]
Pre-load Amount	0.13mm [0.005"]

ARB Corporation Ltd • 42-44 Garden St Kilsyth VIC 3137 Australia
ARB 4X4 Accessories USA • 720 SW 34th St Renton WA 98057 USA
Australia & International Customer Service • +61 3 9761 6622
North America Customer Service • Toll Free 866 293 9078
www.arb.com.au (AUS & Int) www.arbusa.com (N. America)