

RD230

Nissan R180A,30 SPL,3.69 & UP

PARTS LIST

ITEM #	QTY	DESCRIPTION	PART #	NOTES
1	1	FLANGE CAP KIT	028516SP	
2	1	BONDED SEAL	160701SP	
3	1	CLUTCH GEAR & WAVESPRING KIT	050903SP	
4	2	SHORT CROSS SHAFT	061402SP	
5	1	LONG CROSS SHAFT	061302SP	
6	1	SIDE GEAR	SEE NOTE	2
7	2	SIDE GEAR THRUST WASHER	SEE NOTE	4
8	1	COUNTERSUNK SCREW (PK OF 2)	200213SP	
9	1	RETAINING PIN SET (PK OF 4)	120601SP	
10	*	TAPERED ROLLER BEARING	NOT SUPPLIED	
11	1	SEAL HOUSING KIT	081819SP	
12	2	SEAL HOUSING O-RINGS (PK OF 2)	160206SP	1
13	1	SHIM KIT	SHK008	
14	1	WAVESPRING	150702SP	
15	1	SPLINED SIDE GEAR	SEE NOTE	2
16	4	PINION GEAR	SEE NOTE	2
17	4	PINION THRUST WASHER	SEE NOTE	4
18	1	SPIDER BLOCK	070503SP	
19	1	DIFFERENTIAL CASE	013125SP	
*	1	BULKHEAD FITTING (BANJO TYPE)	170114	5
*	1	AIR LINE (6mm DIA X 6m LONG)	170314SP	5
*	1	SOLENOID VALVE (12V)	180103	
*	1	SWITCH	180209SP	
*	1	SWITCH COVER (FRONT)	180210SP	
*	1	CABLE TIE (PK OF 25)	180305	
*	1	OPERATION & SERVICE MANUAL	210200	
*	1	INSTALLATION GUIDE	2102230	

* *Not illustrated in exploded view*

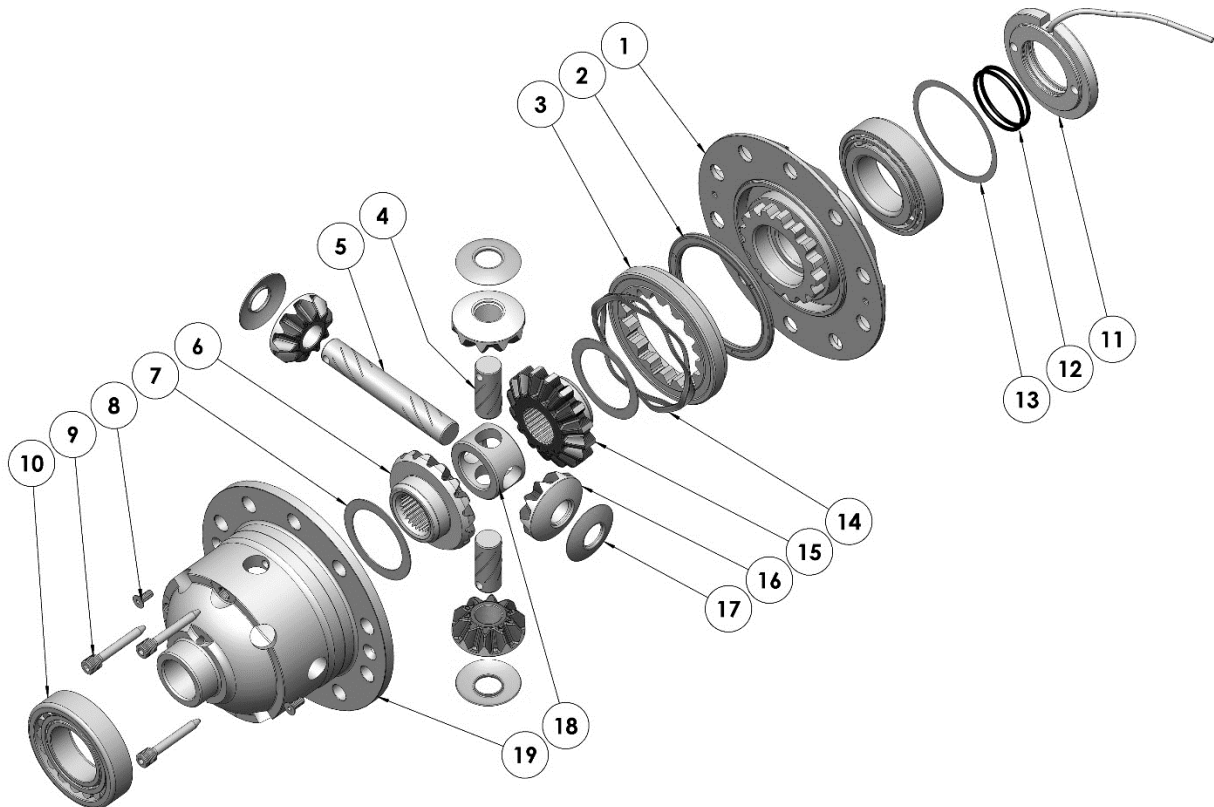
NOTES

- 1 For replacement O-rings use only BS130 Viton 75.
- 2 Available only as complete 6 gear set # 728J061
- 3 Torque to 58.8 Nm [43 ft-lb], then tighten bolts additionally by turning 34° to 39° further.
- 4 Available only as complete thrust washer kit #730J01
- 5 All diffs produced before serial #17070001 came with 5mm air connection system. For information contact ARB.
- For ratios of 3.54:1 and down, refer to RD231 ([Section 2.231](#))

RD230

Nissan R180A,30 SPL,3.69 & UP

EXPLODED DIAGRAM



SPECIFICATIONS

Axle Spline	30 tooth, Ø30.8mm [1.21"]
Ratio Supported	3.69 & Up
Ring Gear ID	115.0mm [4.53"]
Ring Gear Bolts	10 bolts on Ø142mm [5.59"]
Ring Gear Bolt Size	12.2mm [0.48"]
Ring Gear Torque	SEE NOTE 3
Backlash	0.10-0.15mm [0.004"-0.006"]
Bearing Cap Torque	93 Nm [69 ft-lb]