

RD31

Dana 30,27 SPL,3.54 & DN**

****THIS MODEL IS SUPERSEDED BY RD101, CROSSED OUT PARTS NOT AVAILABLE**

PARTS LIST

| ITEM # | QTY | DESCRIPTION | PART # | NOTES |
|--------|-----|-----------------------------------|----------|-------|
| 01 | 1 | FLANGE CAP | 021802 | |
| 02 | 1 | CLUTCH GEAR | 050501 | |
| 03 | 1 | DIFFERENTIAL CASE | 011902 | |
| 04 | 1 | RETURN SPRING (PK OF 4) | 150102SP | |
| 05 | 1 | RETAINING PIN SET (PK OF 4) | 120401SP | |
| 06 | 1 | LONG CROSS SHAFT | 060104SP | |
| 07 | 2 | SHORT CROSS SHAFT | 060306 | |
| 08 | 1 | PISTON | 040601SP | |
| 09 | 1 | U-RING | 160303SP | |
| 10 | 1 | CYLINDER CAP | 030901 | |
| 11 | 1 | SEAL HOUSING O-RINGS (PK OF 2) | 160210SP | 1 |
| 12 | 1 | CYL CAP RETAINING BOLT (PK OF 8) | 200207SP | |
| 13 | 1 | LOCKING TAB (6mm) (PK OF 8) | 150402SP | |
| 14 | 1 | TAPERED ROLLER BEARING | 160105 | 2 |
| 15 | 1 | SEAL HOUSING KIT | 080603SP | |
| 16 | 1 | SHIM KIT | SHK003 | |
| 17 | 1 | SPLINED SIDE GEAR | 131004R | |
| 18 | 1 | PINION THRUST WASHER (PK OF 4) | 151105SP | |
| 19 | 4 | PINION GEAR | 140501R | |
| 20 | 1 | SPIDER BLOCK | 070501 | |
| 21 | 1 | SIDE GEAR | 130901R | |
| 22 | 1 | S GEAR THRUST WASHER (PK OF 2) | 151005SP | |
| * | 1 | BULKHEAD FITTING KIT | 170102 | |
| * | 1 | PUSH-IN FITTING (5mm to 1/8"BSPP) | 170201SP | |
| * | 1 | AIR LINE (5mm DIA X 6m LONG) | 170301SP | |
| * | 1 | SOLENOID VALVE (12V) | 180103 | |
| * | 1 | SWITCH | 180209SP | |
| * | 1 | SWITCH COVER (FRONT) | 180210SP | |
| * | 1 | CABLE TIE (PK OF 25) | 180305 | |
| * | 1 | OPERATING & SERVICE MANUAL | 210200 | |
| * | 1 | INSTALLATION GUIDE | 210231 | |

* *Not illustrated in exploded view*

NOTES

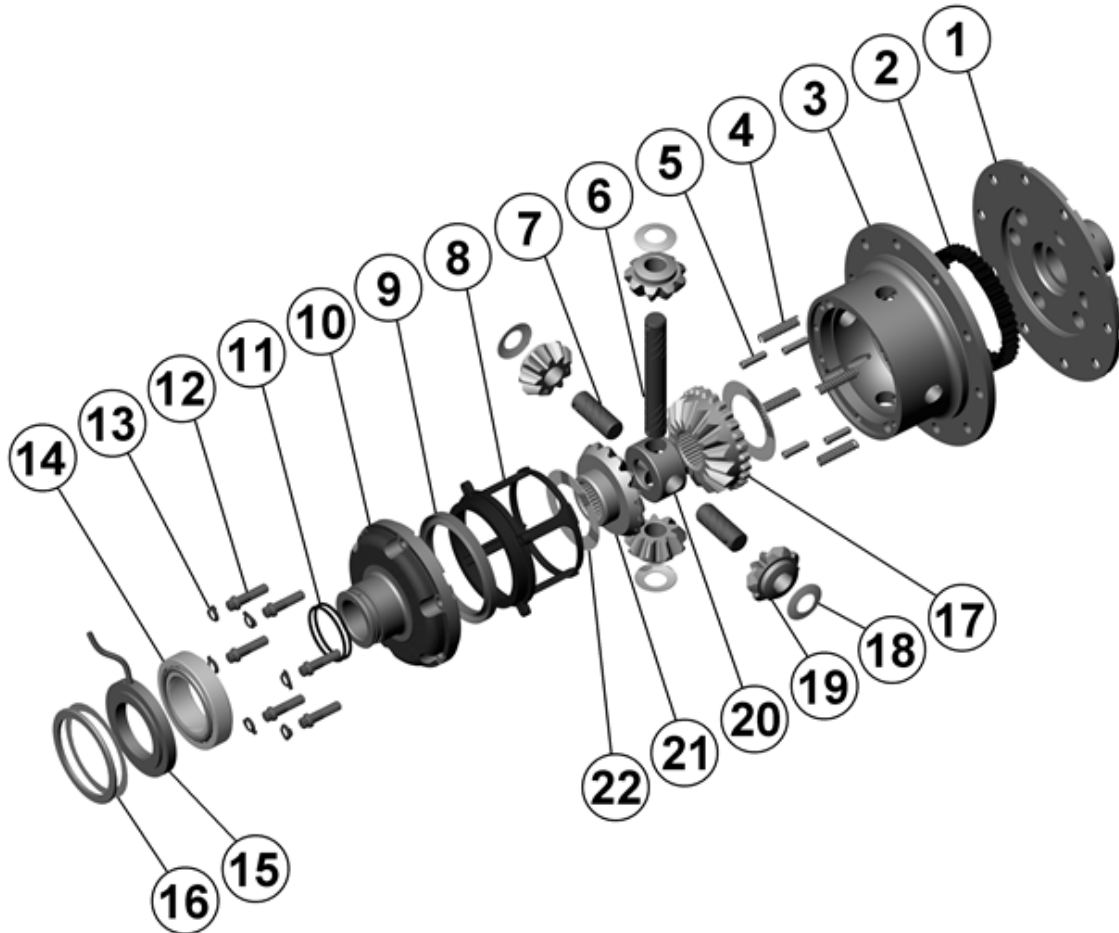
- 1 For replacement O-rings use only BS028 Viton 75.
- 2 For replacement bearing use Timken part # LM501349 / LM501310.
- Not for use in IFS Dana 30 models.

RD31

Dana 30,27 SPL,3.54 & DN**

****THIS MODEL IS SUPERSEDED BY RD101, CROSSED OUT PARTS NOT AVAILABLE**

EXPLODED DIAGRAM



SPECIFICATIONS

| | |
|--------------------|----------------------------|
| Axle Spline | 27 tooth, Ø29.5mm [1.16"] |
| Ratio Supported | 3.54:1 & down |
| Ring Gear ID | 114.3mm [4.50"] |
| Ring Gear OD | 183mm [7.2"] |
| Ring Gear Bolts | 10 bolts on Ø133mm [5.24"] |
| Ring Gear Torque | 75Nm [55 ft-lb] |
| Backlash | 0.15-0.25mm [0.006-0.010"] |
| Bearing Cap Torque | 81Nm [60 ft-lb] |