

RD50

Dana 50,30 SPL

****THIS MODEL WAS SUPERSEDED BY RD158, CROSSED OUT PARTS NOT AVAILABLE**

PARTS LIST

ITEM #	QTY	DESCRIPTION	PART #	NOTES
01	1	FLANGE CAP	022701	
02	1	CLUTCH GEAR	050102	
03	1	DIFFERENTIAL CASE	010603	
04	1	RETURN SPRINGS (PK OF 4)	150101SP	
05	1	RETAINING PIN SET (PK OF 2)	120102SP	
*	1	RETAINING PIN SET (PK OF 2)	120302SP	
06	1	LONG CROSS SHAFT	060103	
07	2	SHORT CROSS SHAFT	060303	
08	1	PISTON	040103SP	
09	1	BONDED SEAL	160701SP	
10	1	CYLINDER CAP	030410	
11	1	SEAL HOUSING O-RINGS (PK OF 2)	160205SP	1
12	1	CYL CAP RETAINING BOLT (PK OF 8)	200205SP	
13	1	LOCKING TAB (8mm) (PK OF 8)	150401SP	
14	1	TAPERED ROLLER BEARING	160112	2
15	1	SEAL HOUSING KIT	080302SP	
16	1	SHIM KIT	SHK009	
*	1	MASTER SHIM	150305	
17	1	SPLINED SIDE GEAR	SEE NOTE	3
18	1	PINION THRUST WASHER (PK OF 4)	151101SP	
19	4	PINION GEAR	SEE NOTE	3
20	1	SPIDER BLOCK	070101	
21	1	SIDE GEAR	SEE NOTE	3
22	1	S GEAR THRUST WASHER (PK OF 2)	151003SP	
*	1	BULKHEAD FITTING KIT (O-RING TYPE)	170111	
*	1	PUSH-IN FITTING (5mm to 1/8"BSPP)	170201SP	
*	1	AIR LINE (5mm DIA X 6m LONG)	170301SP	
*	1	SOLENOID VALVE (12V)	180103	
*	1	SWITCH	180209SP	
*	1	SWITCH COVER (FRONT)	180210SP	
*	1	CABLE TIE (PK OF 25)	180305	
*	1	OPERATING & SERVICE MANUAL	210200	
*	1	INSTALLATION GUIDE	210250	

* *Not illustrated in exploded view*

NOTES

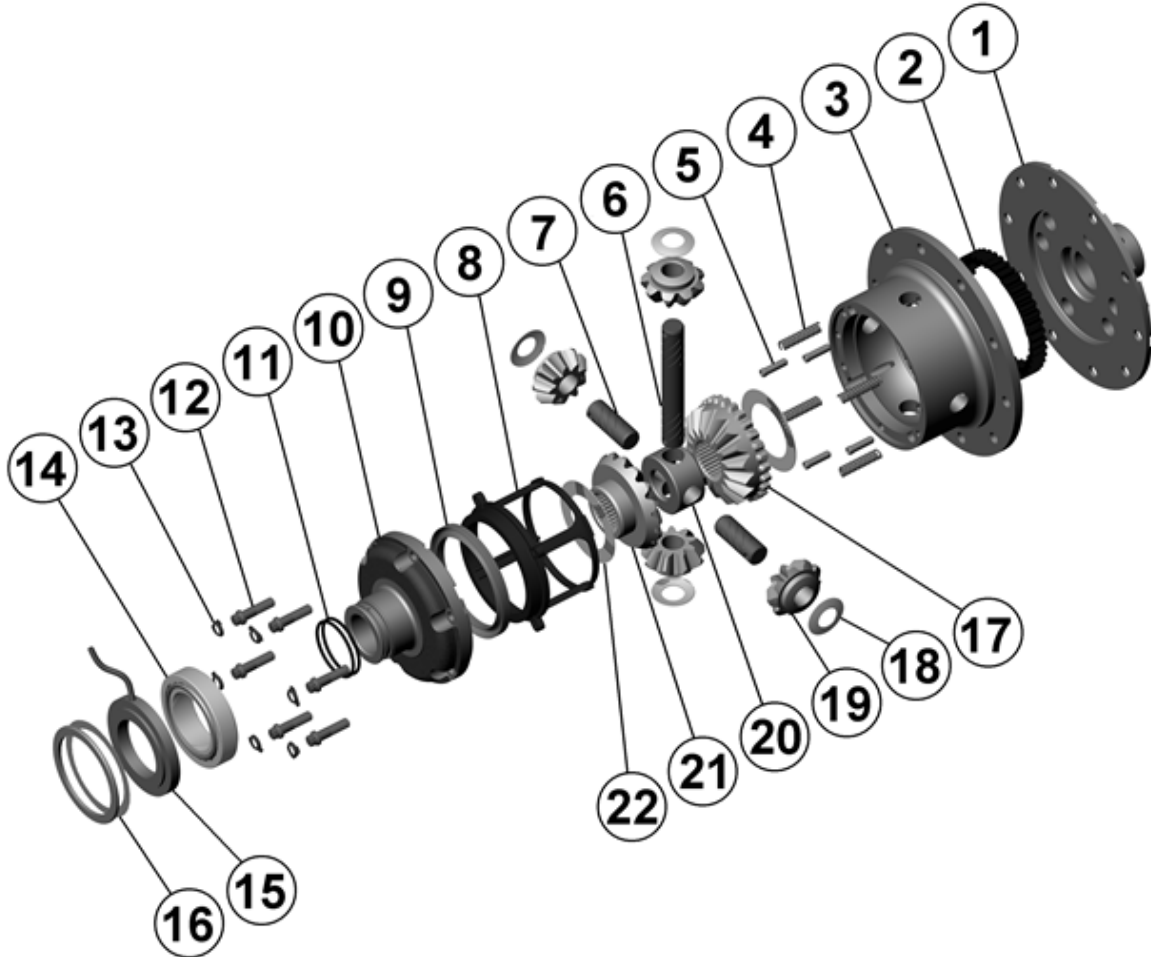
- 1 For replacement O-rings use only BS132 Viton 75.
- 2 For replacement bearing use Timken part # LM104949 / LM104911.
- 3 Available only as complete 6 gear set # 728B041
- For Ford IFS installation refer to tech note ([Section 5.12](#)) for alternative to C-clip use.

RD50

Dana 50,30 SPL

****THIS MODEL WAS SUPERSEDED BY RD158, CROSSED OUT PARTS NOT AVAILABLE**

EXPLODED DIAGRAM



SPECIFICATIONS

Axle Spline	30 tooth, Ø33.3mm [1.31"]
Ratio Supported	All
Ring Gear ID	141.3mm [5.56"]
Ring Gear OD	229mm [9.0"]
Ring Gear Bolts	10 bolts on Ø168mm [6.61"]
Ring Gear Torque	88Nm [65 ft-lb]
Backlash	0.15-0.25mm [0.006-0.010"]
Bearing Cap Torque	81Nm [60 ft-lb]

ARB Corporation Ltd • 42-44 Garden St Kilsyth VIC 3137 Australia
ARB 4X4 Accessories USA • 720 SW 34th St Renton WA 98057 USA
Australia & International Customer Service • +61 3 9761 6622
North America Customer Service • Toll Free 866 293 9078
www.arb.com.au (AUS & Int) www.arbusa.com (N. America)

