

RD71

Nissan H260,37 SPL, disc brake

****THIS MODEL WAS SUPERSEDED BY RD215, CROSSED OUT PARTS NOT AVAILABLE**

PARTS LIST

ITEM #	QTY	DESCRIPTION	PART #	NOTES
01	1	FLANGE CAP	023201	
02	1	CLUTCH GEAR	050401	
03	1	DIFFERENTIAL CASE	012901	
04	1	RETURN SPRING (PK OF 4)	150101SP	
05	1	RETAINING PIN SET (PK OF 4)	120301SP	
06	1	LONG CROSS SHAFT	060703	
07	2	SHORT CROSS SHAFT	060802	
08	1	PISTON	040501SP	
09	1	BONDED SEAL	160703SP	
10	1	CYLINDER CAP ASSEMBLY	031202	
11	1	CYL CAP RETAINING BOLT (PK OF 8)	200205SP	
12	1	LOCKING TAB (8mm) (PK OF 8)	150401SP	
13	1	TAPERED ROLLER BEARING	NOT SUPPLIED	
14	1	CLAMPING PLATE	090301	
15	1	SPLINED SIDE GEAR	SEE NOTE	2
16	1	PINION THRUST WASHER (PK OF 4)	151104SP	
17	4	PINION GEAR	SEE NOTE	2
18	1	SPIDER BLOCK	070401	
19	1	SIDE GEAR	SEE NOTE	2
20	1	S GEAR THRUST WASHER (PK OF 2)	151007SP	
21	1	ADJUSTER NUT	100501SP	
22	1	SEAL HOUSING KIT	081201SP	
23	1	SEAL HOUSING O-RINGS (PK OF 2)	160227SP	1
24	4	SEAL HOUSING SCREW	200501	
*	1	BULKHEAD FITTING KIT (O-RING TYPE)	170111	
*	1	PUSH-IN FITTING (5mm to 1/8"BSPP)	170201SP	
*	1	AIR LINE (5mm DIA X 6m LONG)	170301SP	
*	1	SOLENOID VALVE (12V)	180103	
*	1	SWITCH	180209SP	
*	1	SWITCH COVER (REAR)	180211SP	
*	1	CABLE TIE (PK OF 25)	180305	
*	1	OPERATING & SERVICE MANUAL	210200	
*	1	INSTALLATION GUIDE	210271	

* *Not illustrated in exploded view*

NOTES

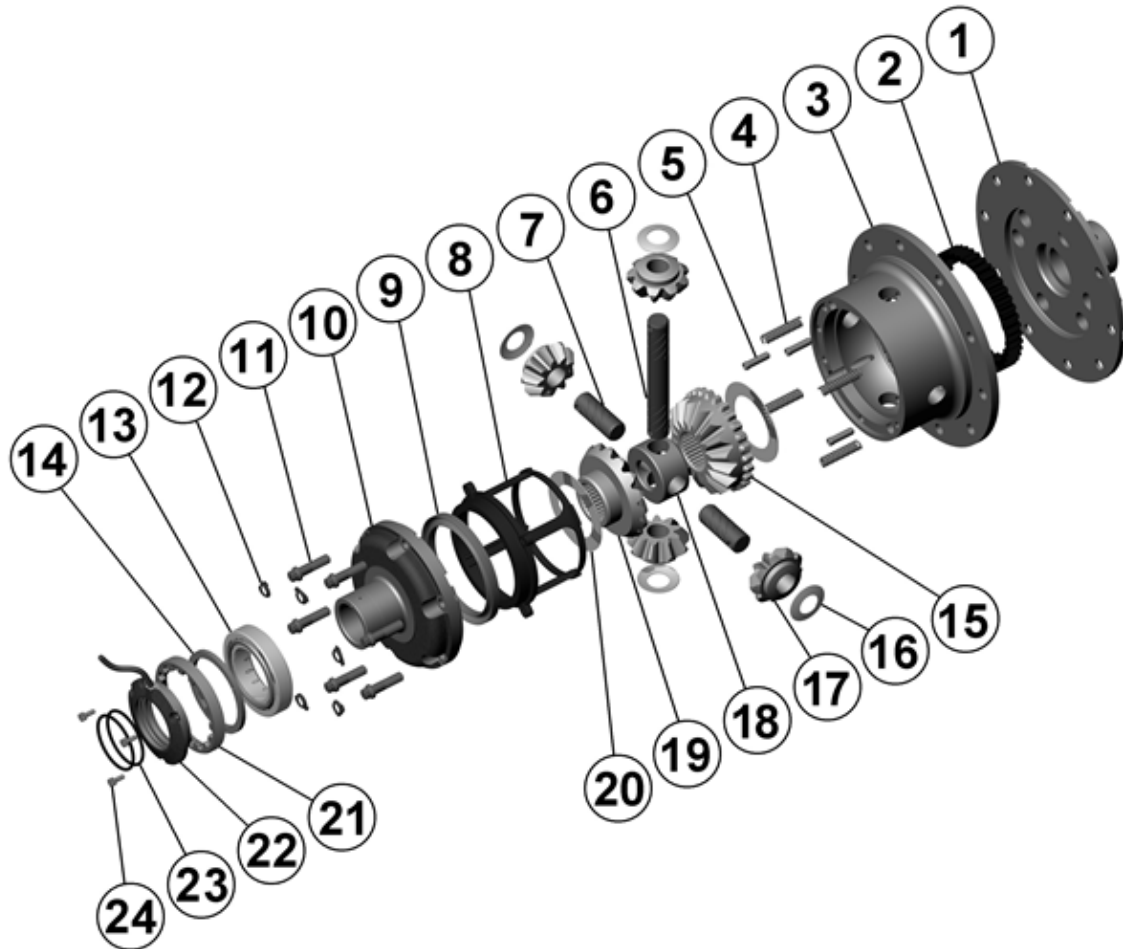
- 1 For replacement O-rings use only BS138 Viton 75.
- 2 Available only as complete 6 gear set # 728E041
- Refer to seal housing set-up tech note ([Section 5.1](#)).
- For H260 37 spline differential with no through cross shaft refer to RD70 ([Section 2.70](#)).

RD71

Nissan H260,37 SPL, disc brake

****THIS MODEL WAS SUPERSEDED BY RD215, CROSSED OUT PARTS NOT AVAILABLE**

EXPLODED DIAGRAM



SPECIFICATIONS

Axle Spline	37 tooth, Ø38.4mm [1.51"]
Ratio Supported	All
Ring Gear ID	165.1mm [6.50"]
Ring Gear Bolts	10 bolts on Ø200mm [7.87"]
Ring Gear Bolt Size	14mm
Ring Gear Torque	212Nm [156 ft-lb]
Backlash	0.15-0.20mm [0.006-0.008"]
Bearing Cap Torque	88Nm [65 ft-lb]