

RD80

Dana 80,35 SPL

****THIS MODEL WAS SUPERSEDED BY RD173, CROSSED OUT PARTS NOT AVAILABLE**

PARTS LIST

| ITEM # | QTY | DESCRIPTION | PART # | NOTES |
|--------|-----|------------------------------------|----------|-------|
| 01 | 1 | FLANGE CAP | 022602 | |
| 02 | 1 | CLUTCH GEAR | 050401 | |
| 03 | 1 | DIFFERENTIAL CASE | 012403 | |
| 04 | 1 | RETURN SPRING (PK OF 4) | 150101SP | |
| 05 | 1 | RETAINING PIN SET (PK OF 4) | 120301SP | |
| 06 | 1 | LONG CROSS SHAFT | 060703 | |
| 07 | 2 | SHORT CROSS SHAFT | 060802 | |
| 08 | 1 | PISTON | 040501SP | |
| 09 | 1 | BONDED SEAL | 160703SP | |
| 10 | 1 | CYLINDER CAP | 031203 | |
| 11 | 1 | SEAL HOUSING O-RINGS (PK OF 2) | 160220SP | 1 |
| 12 | 1 | CYL CAP RETAINING BOLT (PK OF 8) | 200205SP | |
| 13 | 1 | LOCKING TAB (6mm) (PK OF 8) | 150401SP | |
| 14 | 1 | TAPERED ROLLER BEARING | 160113 | 2 |
| 15 | 1 | SEAL HOUSING KIT | 080704SP | |
| 16 | 1 | SHIM KIT | SHK006 | |
| * | 1 | MASTER SHIM | 150336 | |
| 17 | 1 | SPLINED SIDE GEAR | SEE NOTE | 3 |
| 18 | 1 | PINION THRUST WASHER (PK OF 4) | 151104SP | |
| 19 | 4 | PINION GEAR | SEE NOTE | 3 |
| 20 | 1 | SPIDER BLOCK | 070401 | |
| 21 | 1 | SIDE GEAR | SEE NOTE | 3 |
| 22 | 1 | S GEAR THRUST WASHER (PK OF 2) | 151004SP | |
| * | 1 | BULKHEAD FITTING KIT (O-RING TYPE) | 170111 | |
| * | 1 | PUSH-IN FITTING (5mm to 1/8"BSPP) | 170201SP | |
| * | 1 | AIR LINE (5mm DIA X 6m LONG) | 170301SP | |
| * | 1 | SOLENOID VALVE (12V) | 180103 | |
| * | 1 | SWITCH | 180209SP | |
| * | 1 | SWITCH COVER (REAR) | 180211SP | |
| * | 1 | CABLE TIE (PK OF 25) | 180305 | |
| * | 1 | OPERATING & SERVICE MANUAL | 210200 | |
| * | 1 | INSTALLATION GUIDE | 210280 | |

* *Not illustrated in exploded view*

NOTES

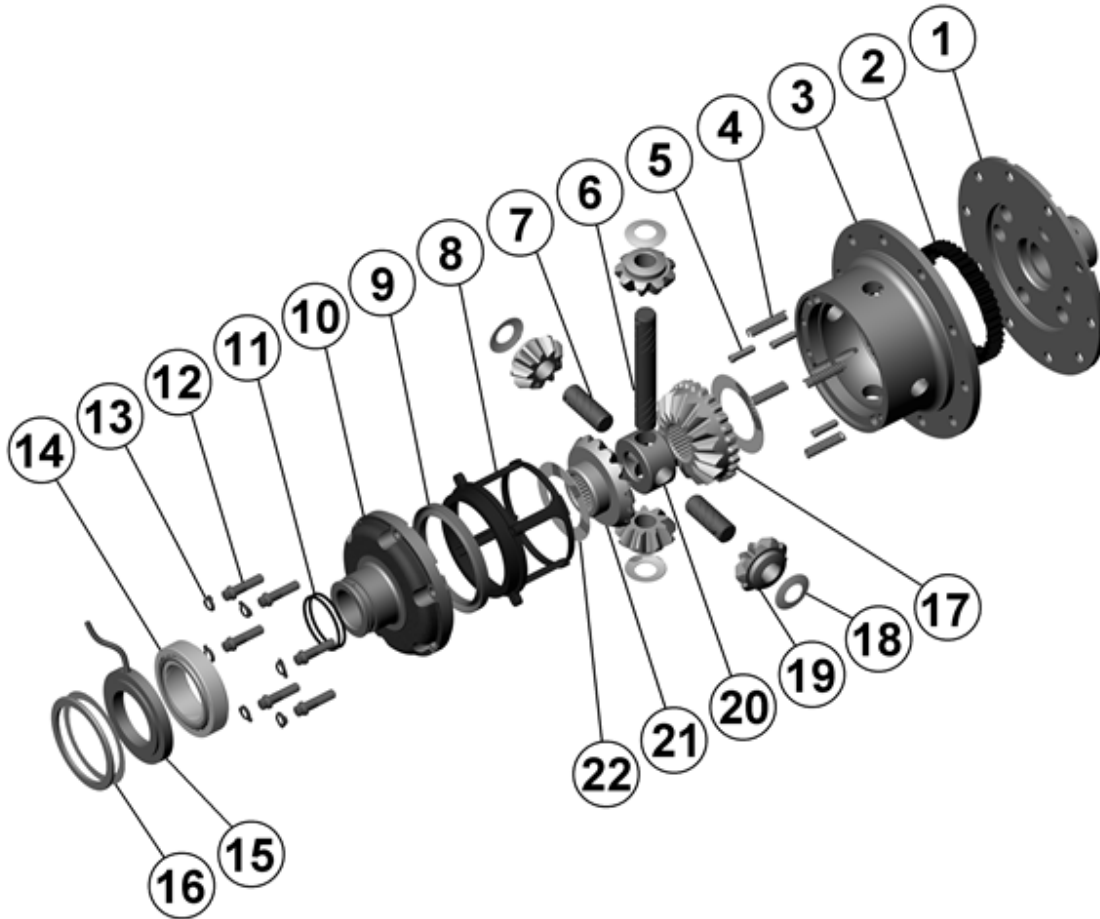
- 1 For replacement O-rings use only BS141 Viton 75.
- 2 For replacement bearing use Timken part # 39250 / 39412.
- 3 Available only as complete 6 gear set # 728E014
- The ratio split for the carrier break varies by application. RD80 suits the numerically higher range (i.e., ????:1 & up) for each application.
- For the 37 spline Dana 80 refer to RD91 ([Section 2.91](#)).

RD80

Dana 80,35 SPL

****THIS MODEL WAS SUPERSEDED BY RD173, CROSSED OUT PARTS NOT AVAILABLE**

EXPLODED DIAGRAM



SPECIFICATIONS

| | |
|--------------------|----------------------------|
| Axle Spline | 35 tooth, Ø38.1mm [1.50"] |
| Ratio Supported | Varies by mfg. (see note) |
| Ring Gear ID | 174.9mm [6.89"] |
| Ring Gear OD | 292mm [11.5"] |
| Ring Gear Bolts | 12 bolts on Ø203mm [8.00"] |
| Ring Gear Torque | 237Nm [175 ft-lb] |
| Backlash | 0.15-0.25mm [0.006-0.010"] |
| Bearing Cap Torque | 108Nm [80 ft-lb] |