

RD85

Isuzu RR,23 SPL,non-LSD

****THIS MODEL IS NO LONGER IN PRODUCTION, CROSSED OUT PARTS ARE UNAVAILABLE**

PARTS LIST

ITEM #	QTY	DESCRIPTION	PART #	NOTES
01	1	FLANGE CAP	021503	
02	1	CLUTCH GEAR	050202	
03	1	DIFFERENTIAL CASE	012702	
04	1	RETURN SPRINGS (PK OF 4)	150101SP	
05	1	RETAINING PIN SET (PK OF 4)	120303SP	
06	1	LONG CROSS SHAFT	060205	
07	2	SHORT CROSS SHAFT	060402	
08	1	PISTON	040202SP	
09	1	BONDED SEAL	160702SP	
10	1	CYLINDER CAP	030805	
11	1	SEAL HOUSING O-RINGS (PK OF 2)	160227SP	1
12	1	CYL CAP RETAINING BOLT (PK OF 8)	200205SP	
13	1	LOCKING TAB (8mm) (PK OF 8)	150401SP	
14	1	TAPERED ROLLER BEARING	160115	2
15	1	SEAL HOUSING KIT	080705SP	
16	1	SHIM KIT	SHK001	
*	1	MASTER SHIM	150330	
17	1	SPLINED SIDE GEAR	SEE NOTE	3
18	1	PINION THRUST WASHER (PK OF 4)	151102SP	
19	4	PINION GEAR	SEE NOTE	3
20	1	SPIDER BLOCK	070201SP	
21	1	SIDE GEAR	SEE NOTE	3
22	1	S GEAR THRUST WASHER (PK OF 2)	151006SP	
*	1	BULKHEAD FITTING KIT (O-RING TYPE)	170111	
*	1	PUSH-IN FITTING (5mm to 1/8"BSPP)	170201SP	
*	1	AIR LINE (5mm DIA X 6m LONG)	170301SP	
*	1	SOLENOID VALVE (12V)	180103	
*	1	SWITCH	180209SP	
*	1	SWITCH COVER (REAR)	180211SP	
*	1	CABLE TIE (PK OF 25)	180305	
*	1	OPERATING & SERVICE MANUAL	210200	
*	1	INSTALLATION GUIDE	210285	

* *Not illustrated in exploded view*

NOTES

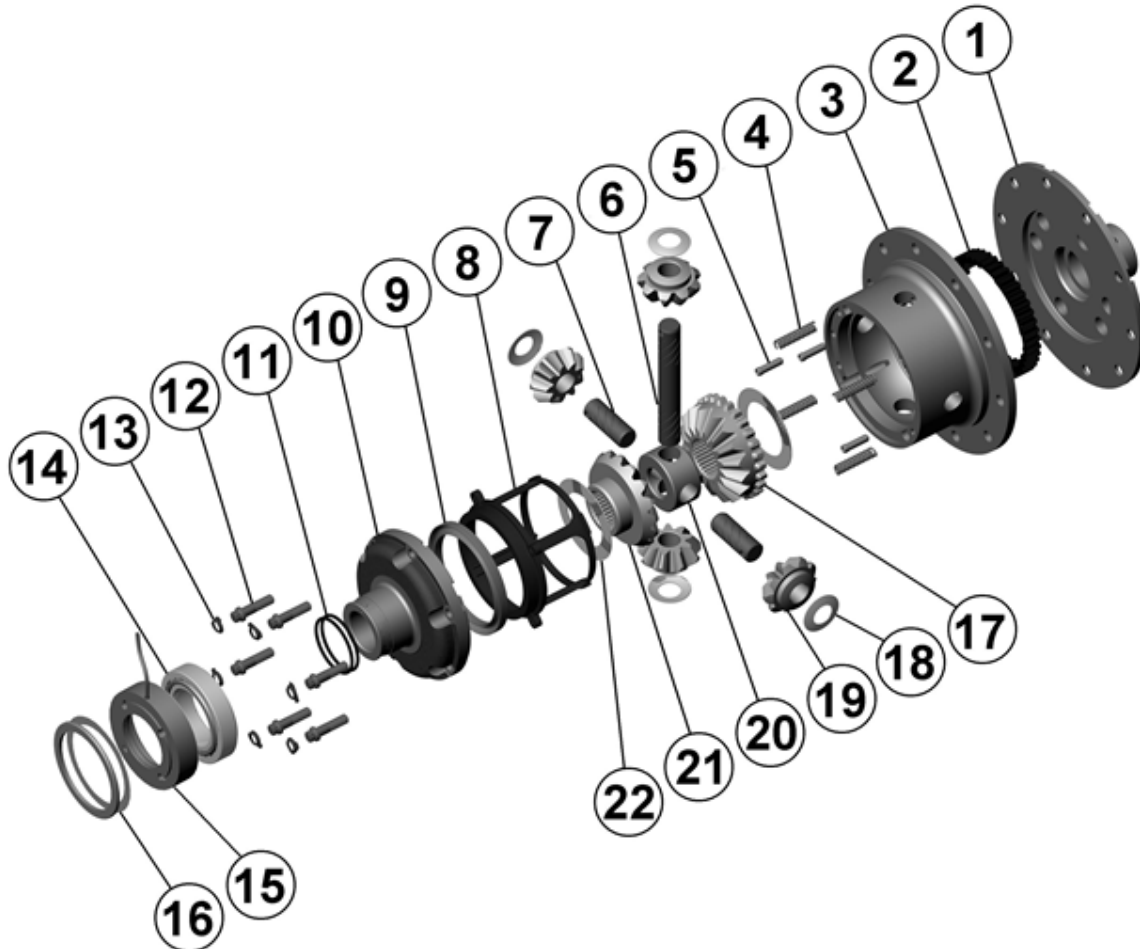
- 1 For replacement O-rings use only BS138 Viton 75.
- 2 For replacement bearing use Timken part # LM806649 / LM806610.
- 3 Available only as complete 6 gear set # 728A104
- Only suits non-LSD models with small carrier bearing - OD 96.84mm [3.813"].

RD85

Isuzu RR,23 SPL,non-LSD

****THIS MODEL IS NO LONGER IN PRODUCTION, CROSSED OUT PARTS ARE UNAVAILABLE**

EXPLODED DIAGRAM



SPECIFICATIONS

Axle Spline	23 tooth, Ø38.1mm [1.50"]
Ratio Supported	All
Ring Gear ID	154.0mm [6.06"]
Ring Gear Bolts	12 bolts on Ø180mm [7.09"]