

RD92

Toyota 8" IFS,50mm BRNG**

****THIS MODEL WAS SUPERSEDED BY RD131, CROSSED OUT PARTS NOT AVAILABLE**

PARTS LIST

ITEM #	QTY	DESCRIPTION	PART #	NOTES
01	1	FLANGE CAP	020104	
02	1	CLUTCH GEAR	050102	
03	1	DIFFERENTIAL CASE	010407	
04	1	RETURN SPRING (PK OF 4)	150112SP	
05	2	RETAINING PIN SET (PK OF 2)	120302SP	
06	1	LONG CROSS SHAFT	061301	
07	2	SHORT CROSS SHAFT	061401	
08	1	PISTON	040103SP	
09	1	BONDED SEAL	160701SP	
10	1	CYLINDER CAP ASSEMBLY	030129	
11	1	CYL CAP RETAINING BOLT (PK OF 8)	200205SP	
12	1	LOCKING TAB (8mm) (PK OF 8)	150401SP	
13	1	SEAL HOUSING O-RINGS (PK OF 2)	160232SP	1
14	1	SEAL HOUSING KIT	080304SP	4
15	1	TAPERED ROLLER BEARING	160116SP	2
16	1	SPLINED SIDE GEAR	SEE NOTE	3
17	4	PINION GEAR	SEE NOTE	3
18	1	PINION THRUST WASHER (PK OF 4)	151111SP	
19	1	SPIDER BLOCK	070102	
20	1	SIDE GEAR	SEE NOTE	3
21	1	S GEAR THRUST WASHER (PK OF 2)	151003SP	
*	1	SHIM KIT	SHK004	
*	1	BULKHEAD FITTING KIT (O-RING TYPE)	170111	
*	1	PUSH-IN FITTING (5mm to 1/8"BSPP)	170201SP	
*	1	AIR LINE (5mm DIA X 6m LONG)	170301SP	
*	1	SOLENOID VALVE (12V)	180103	
*	1	SWITCH	180209SP	
*	1	SWITCH COVER (FRONT)	180210SP	
*	1	CABLE TIE (PK OF 25)	180305	
*	1	OPERATING & SERVICE MANUAL	210200	
*	1	INSTALLATION GUIDE	210292	

* *Not illustrated in exploded view*

NOTES

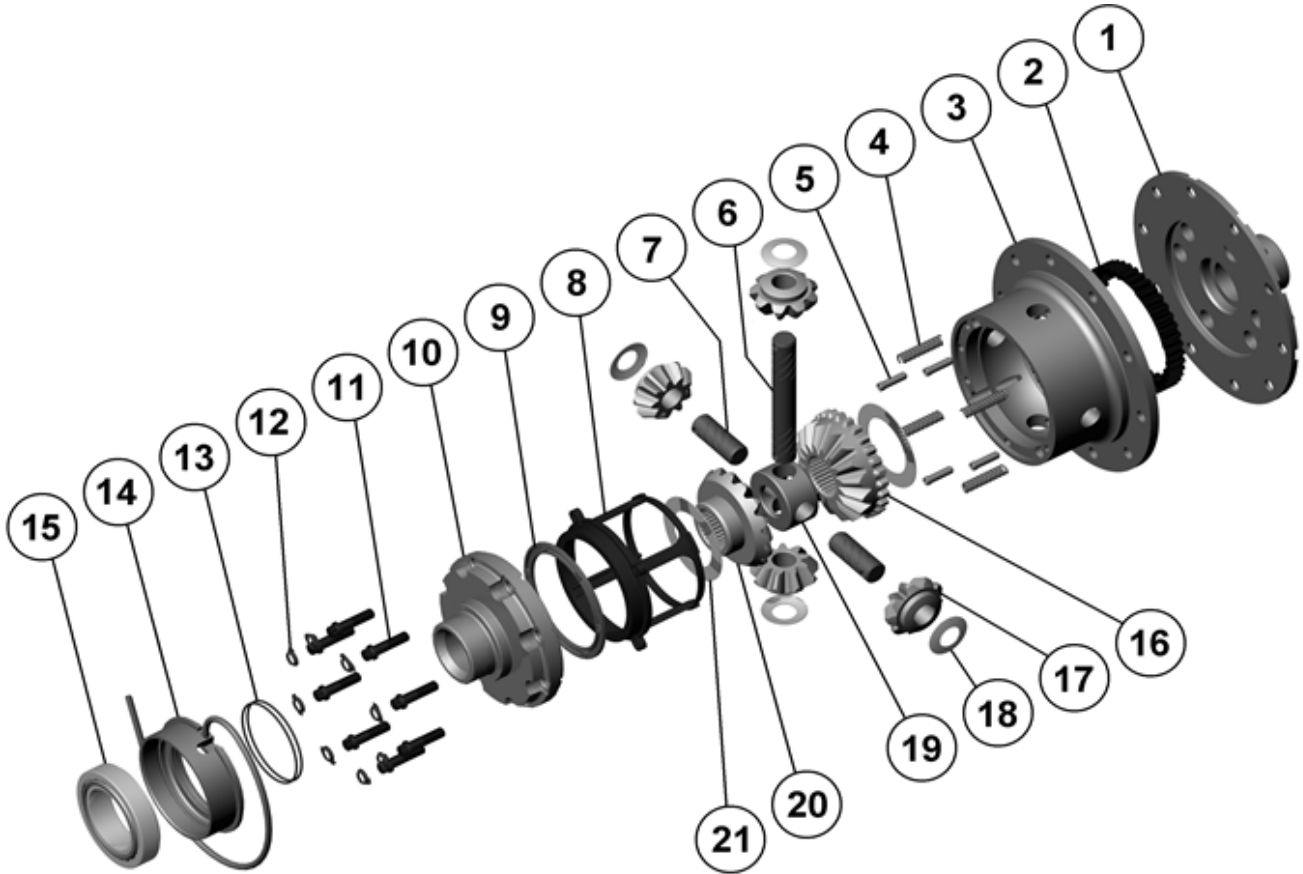
- 1 For replacement O-rings use only BS037 Viton 75.
- 2 For replacement bearing use Timken part # X32010X / Y32010X.
- 3 Available only as complete 6 gear set # 728B023
- 4 Seal housing comes pre-installed.
- Spare axle retaining clips may be required (not supplied) to refit CV shafts.
- To service O-rings or bearing remove the seal housing assembly with a bearing puller.

RD92

Toyota 8" IFS, 50mm BRNG**

****THIS MODEL WAS SUPERSEDED BY RD131, CROSSED OUT PARTS NOT AVAILABLE**

EXPLODED DIAGRAM



SPECIFICATIONS

Axle Spline	30 tooth, Ø33.0mm [1.30"]
Ratio Supported	All
Ring Gear ID	126.0mm [4.96"]
Ring Gear OD	203mm [8.0"]
Ring Gear Bolts	10 bolts on Ø160mm [6.30"]
Ring Gear Torque	96Nm [71 ft-lb]
Backlash	0.13-0.18mm [0.005-0.007"]
Bearing Cap Torque	85Nm [63 ft-lb]

ARB Corporation Ltd • 42-44 Garden St Kilsyth VIC 3137 Australia
ARB 4X4 Accessories USA • 720 SW 34th St Renton WA 98057 USA
Australia & International Customer Service • +61 3 9761 6622
North America Customer Service • Toll Free 866 293 9078
www.arb.com.au (AUS & Int) www.arbusa.com (N. America)

