

**RD02**

Toyota 8.9",45mm BRNG\*\*

**\*\*THIS MODEL WAS SUPERSEDED BY RD142, CROSSED OUT PARTS NOT AVAILABLE**

### PARTS LIST

ITEM #	QTY	DESCRIPTION	PART #	NOTES
01	1	FLANGE CAP	021702	
02	1	CLUTCH GEAR	050202	
03	1	DIFFERENTIAL CASE	010204	
04	1	RETURN SPRINGS (PK OF 4)	150101SP	
05	1	RETAINING PIN SET (PK OF 4)	120303SP	
06	1	LONG CROSS SHAFT	060205	
07	2	SHORT CROSS SHAFT	060402	
08	1	PISTON	040202SP	
09	1	ANNULAR SEAL	160905SP	
10	1	CYLINDER CAP ASSEMBLY	030208	
11	1	CYL CAP RETAINING BOLT (PK OF 8)	200205SP	
12	1	LOCKING TAB (8mm) (PK OF 8)	150401SP	
13	1	TAPERED ROLLER BEARING	NOT SUPPLIED	
14	1	SEAL HOUSING RETAINING CLIP	150601SP	
15	1	SPLINED SIDE GEAR	SEE NOTE	2
16	1	PINION THRUST WASHER (PK OF 4)	151102SP	
17	4	PINION GEAR	SEE NOTE	2
18	1	SPIDER BLOCK	070201SP	
19	1	SIDE GEAR	SEE NOTE	2
20	1	S GEAR THRUST WASHER (PK OF 2)	151002SP	
21	1	ADJUSTER NUT	100101SP	
22	1	SEAL HOUSING KIT	081902SP	
23	1	SEAL HOUSING O-RINGS (PK OF 2)	160235-2	1
*	1	BULKHEAD FITTING KIT (O-RING TYPE)	170111	
*	1	PUSH-IN FITTING (5mm to 1/8"BSPP)	170201SP	
*	1	AIR LINE (5mm DIA X 6m LONG)	170301SP	
*	1	SOLENOID VALVE (12V)	180103	
*	1	SWITCH FR OR RR LOCKER	180225	
*	1	CABLE TIE (PK OF 25)	180305	
*	1	OPERATING & SERVICE MANUAL	210200	
*	1	INSTALLATION GUIDE	210202	

\* *Not illustrated in exploded view*

### NOTES

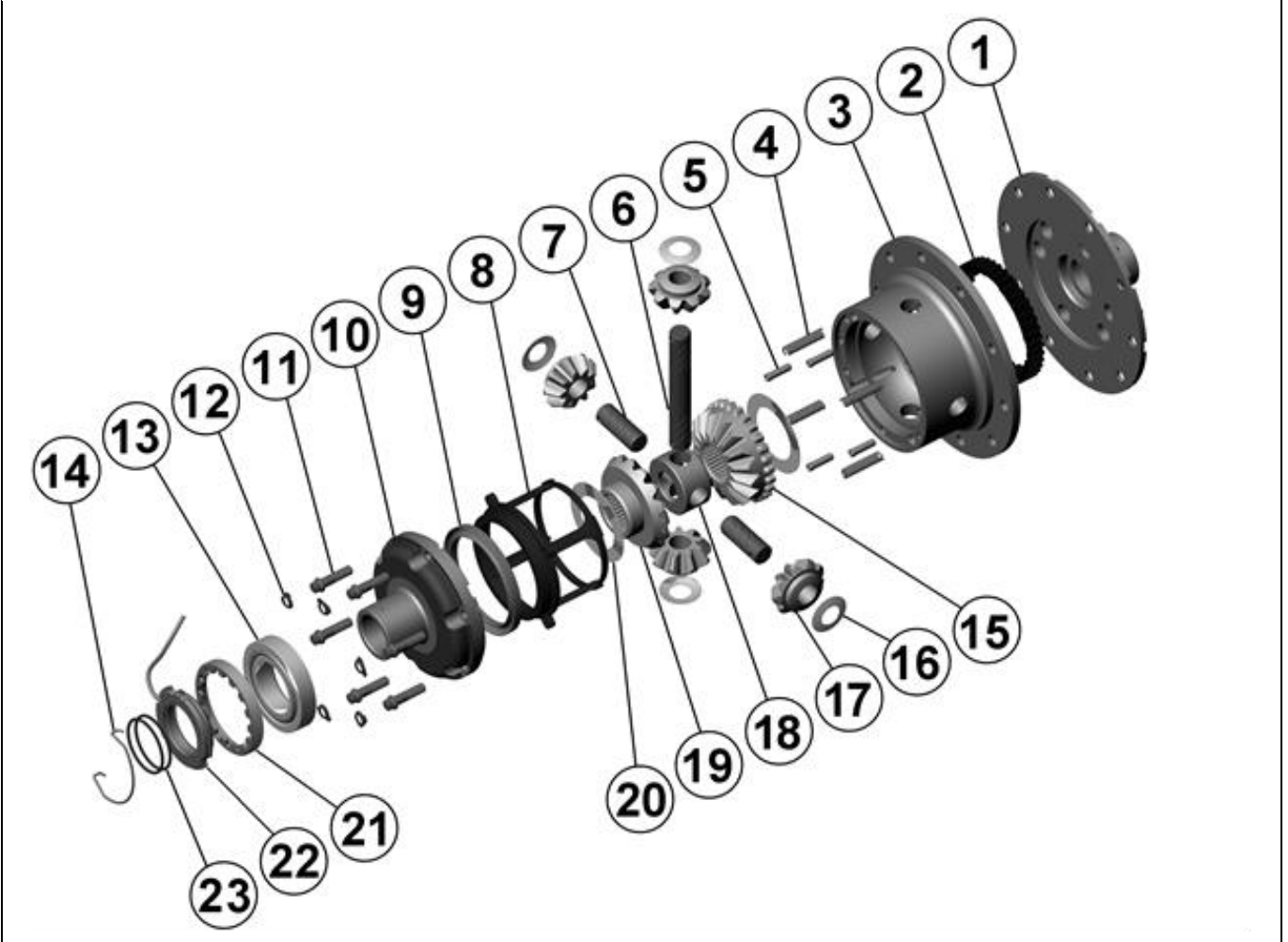
- 1 For replacement O-rings use only BS133 Viton 75.
- 2 Available only as complete 6 gear set # 728A011
- For older style 8.9" with 50mm carrier bearing ID refer to RD33 (Section 2.33).
- For older style 8.9" C-clip model refer to RD124 (Section 2.124).
- For seal housing set-up refer to tech note (Section 5.1 & 5.2).
- For information on RD02 models with 4 cylinder cap bolts, contact ARB.

**RD02**

Toyota 8.9",45mm BRNG\*\*

**\*\*THIS MODEL WAS SUPERSEDED BY RD142, CROSSED OUT PARTS NOT AVAILABLE**

### EXPLODED DIAGRAM



### SPECIFICATIONS

Axle Spline	30 tooth, Ø33mm [1.31"]
Ratio Supported	All
Ring Gear ID	138.1mm [5.44"]
Ring Gear OD	225mm [8.9"]
Ring Gear Bolts	12 bolts on Ø156mm [6.14"]
Ring Gear Torque	120Nm [89 ft-lb]
Backlash	0.15-0.20mm [0.006-0.08"]
Bearing Cap Torque	110Nm [81 ft-lb]

ARB Corporation Ltd • 42-44 Garden St Kilsyth VIC 3137 Australia  
ARB 4X4 Accessories USA • 4810 D St. NW #103 Auburn WA 98001 USA  
Australia & International Customer Service • +61 3 9761 6622  
North America Customer Service • Toll Free 866 293 9078  
[www.arb.com.au](http://www.arb.com.au) (AUS & Int) [www.arbusa.com](http://www.arbusa.com) (N. America)