

### RD100

Dana 30,27 SPL,3.73 & UP

### PARTS LIST

ITEM #	QTY	DESCRIPTION	PART #	NOTES
1	1	SEAL HOUSING O-RINGS (PK OF 2)	160235-2	1
2	1	SEAL HOUSING KIT	081801SP	
3	2	SHIM KIT	SHK003	
*	2	MASTER SHIM	150325	
4	1	BONDED SEAL	160701SP	
5	1	CLUTCH GEAR & WAVESPRING KIT	050903SP	
6	1	SPIDER BLOCK	070503SP	
7	1	LONG CROSS SHAFT	061302SP	
8	1	SIDE GEAR	SEE NOTE	3
9	1	COUNTERSUNK SCREW (PK OF 2)	200213SP	
10	1	RETAINING PIN SET (PK OF 4)	120601SP	
11	2	TAPERED ROLLER BEARING	160109	2
12	1	FLANGE CAP KIT	028502SP	
13	1	WAVESPRING	150702SP	
14	1	SPLINED SIDE GEAR	SEE NOTE	3
15	2	SHORT CROSS SHAFT	061402SP	
16	4	PINION GEAR	SEE NOTE	3
17	4	PINION THRUST WASHER	SEE NOTE	4
18	2	SIDE GEAR THRUST WASHER	SEE NOTE	4
19	1	DIFFERENTIAL CASE	013102SP	
*	1	BULKHEAD FITTING KIT (BANJO TYPE)	170114	5
*	1	AIR LINE (6mm DIA X 6m LONG)	170314	5
*	1	SOLENOID VALVE (12V)	180103SP	
*	1	SWITCH FR LOCKER	180223SP	
*	1	CABLE TIE (PK OF 25)	180305	
*	1	OPERATING & SERVICE MANUAL	210200	
*	1	INSTALLATION GUIDE	2102100	

\* *Not illustrated in exploded view*

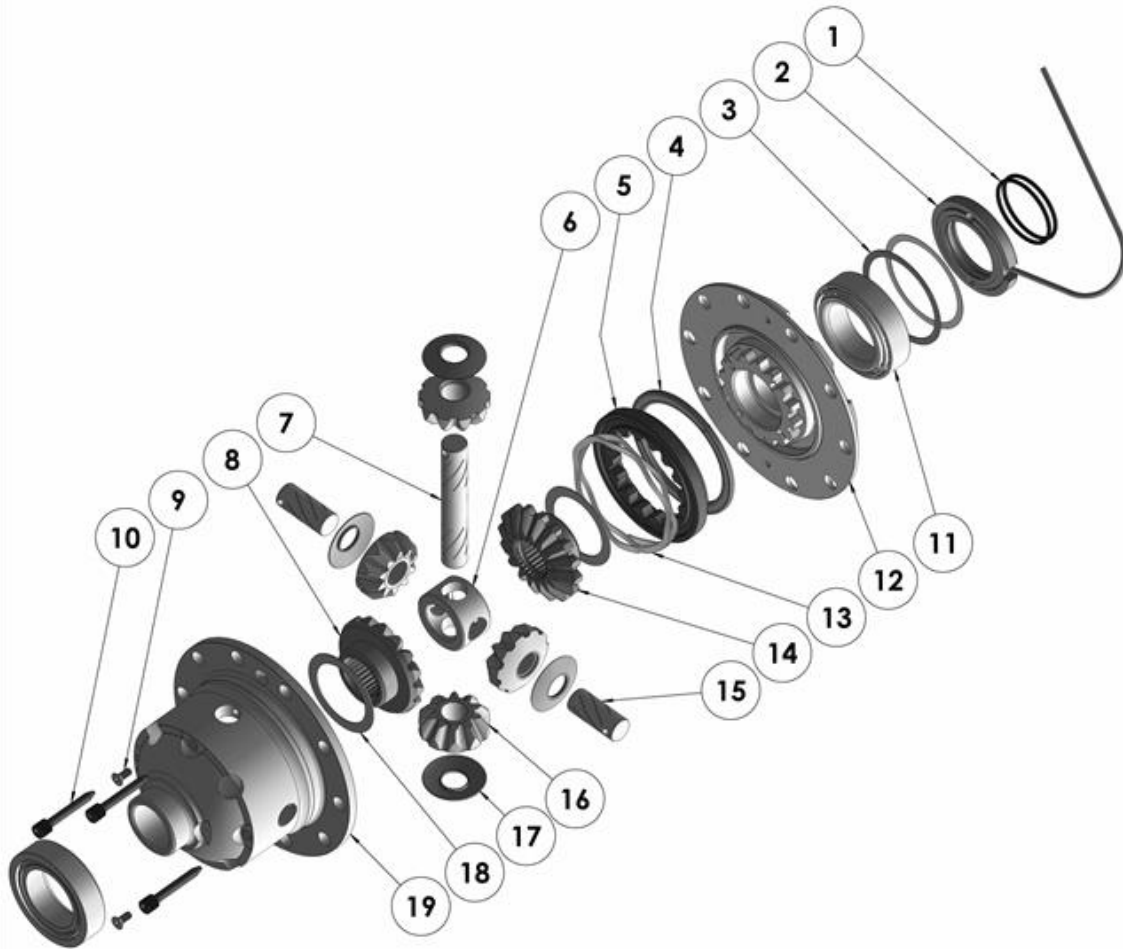
### NOTES

- 1 For replacement O-rings use only BS133 Viton 75.
- 2 For replacement bearing use Timken part # LM102949 / LM102910.
- 3 Available only as complete 6 gear set # 728J011
- 4 Available only as complete thrust washer kit #730J01
- 5 All diffs produced before serial # 17070001 came with 5mm air connection system. For information contact ARB.
- For ratios of 3.54:1 and down refer to RD101 ([Section 2.101](#)).
- Bearing cap torque does not apply to aluminium housings. Refer to vehicle's service manual for correct torque value.

**RD100**

Dana 30,27 SPL,3.73 & UP

### EXPLODED DIAGRAM



### SPECIFICATIONS

Axle Spline	27 tooth, Ø29.5mm [1.16"]
Ratio Supported	3.73:1 & up
Ring Gear ID	114.3mm [4.50"]
Ring Gear OD	183mm [7.2"]
Ring Gear Bolts	10 bolts on Ø133mm [5.25"]
Ring Gear Torque	75Nm [55 ft-lb]
Backlash	0.15-0.25mm [0.006-0.010"]
Bearing Cap Torque	81Nm [60 ft-lb] (see note 4)

ARB Corporation Ltd ▪ 42-44 Garden St Kilsyth VIC 3137 Australia  
ARB 4X4 Accessories USA ▪ 4810 D St. NW #103 Auburn WA 98001 USA  
Australia & International Customer Service ▪ +61 3 9761 6622  
North America Customer Service ▪ Toll Free 866 293 9078  
[www.arb.com.au](http://www.arb.com.au) (AUS & Int) [www.arbusa.com](http://www.arbusa.com) (N. America)