

RD12

GM 12 Bolt, 8.9", 30 SPL, 3.73 & UP

****THIS MODEL WAS SUPERSEDED BY RD216, CROSSED OUT PARTS NOT AVAILABLE**

PARTS LIST

ITEM #	QTY	DESCRIPTION	PART #	NOTES
01	1	FLANGE CAP	020804	
02	1	CLUTCH GEAR	050202	
03	1	DIFFERENTIAL CASE	041007	
04	1	RETURN SPRINGS (PK OF 4)	150101SP	
05	1	RETAINING PIN SET (PK OF 4)	120303SP	
06	1	LONG CROSS SHAFT	060205	
07	1	SHORT CROSS SHAFT	060402	
08	1	PISTON	040202SP	
09	1	ANNULAR SEAL	160905SP	
10	1	CYLINDER CAP	030213	
11	1	SEAL HOUSING O-RINGS (PK OF 2)	160205-2	1
12	1	CYL CAP RETAINING BOLT (PK OF 8)	200205SP	
13	1	LOCKING TAB (8mm) (PK OF 8)	150401SP	
14	1	TAPERED ROLLER BEARING	160104	2
15	1	SHIM KIT	SHK008	
*	1	MASTER SHIM	150320	
16	1	SEAL HOUSING KIT	080501SP	
17	1	SPLINED SIDE GEAR	SEE NOTE	3
18	1	SPIDER BLOCK	070902SP	
19	3	PINION GEAR	SEE NOTE	3
20	1	PINION THRUST WASHER (PK OF 4)	151102SP	
21	1	SIDE GEAR	SEE NOTE	3
22	1	S GEAR THRUST WASHER (PK OF 2)	151002SP	
*	1	'C' CLIP KIT	CCK004	
*	1	CYL CAP RETAINING BOLT (PK OF 8)	200207SP	
*	1	LOCKING TAB (6mm) (PK OF 2)	150402	
*	1	BULKHEAD FITTING KIT (O-RING TYPE)	170111	
*	1	PUSH-IN FITTING (5mm to 1/8" BSPP)	170201SP	
*	1	AIR LINE (5mm DIA X 6m LONG)	170301SP	
*	1	SOLENOID VALVE (12V)	180103	
*	1	SWITCH RR LOCKER	180224	
*	1	CABLE TIE (PK OF 25)	180305	
*	1	OPERATING & SERVICE MANUAL	210212	
*	1	INSTALLATION GUIDE	210200	

* *Not illustrated in exploded view*

NOTES

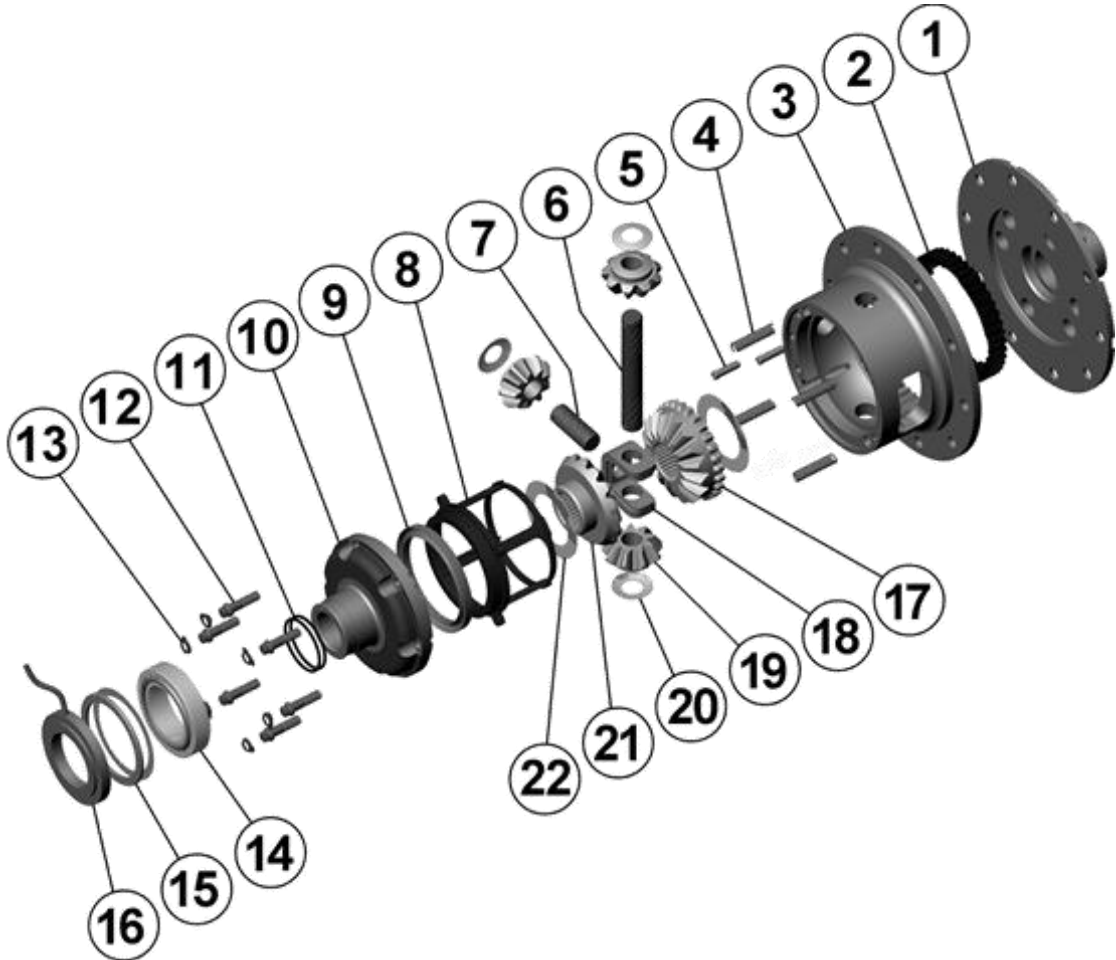
- 1 For replacement O-rings use only BS132 Viton 75
- 2 For replacement bearing use Timken part #LM603049 / LM603011.
- 3 Available only as complete 5 gear set #728A044C
- For information on RD12 models with metal pistons, contact ARB.
- Ring gear bolts are 3/8" - 24 left-hand thread, and must be removed in a clockwise direction

RD12

GM 12 Bolt, 8.9", 30 SPL, 3.73 & UP

****THIS MODEL WAS SUPERSEDED BY RD216, CROSSED OUT PARTS NOT AVAILABLE**

EXPLODED DIAGRAM



SPECIFICATIONS

Axle Spline	30 tooth, Ø33.3mm [1.31"]
Ratio Supported	3.73:1 & up
Ring Gear ID	138.1mm [5.44"]
Ring Gear OD	225mm [8.9"]
Ring Gear Bolts	12 bolts on Ø165mm [6.50"]
Ring Gear Torque	75Nm [55 ft-lb]
Backlash	0.15-0.25mm [0.006-0.010"]
Bearing Cap Torque	81Nm [60 ft-lb]

ARB Corporation Ltd • 42-44 Garden St Kilsyth VIC 3137 Australia
ARB 4X4 Accessories USA • 4810 D St. NW #103 Auburn WA 98001 USA
Australia & International Customer Service • +61 3 9761 6622
North America Customer Service • Toll Free 866 293 9078
www.arb.com.au (AUS & Int) www.arbusa.com (N. America)