

RD128

Land Rover, 24 SPL, Banjo

PARTS LIST

| ITEM # | QTY | DESCRIPTION | PART # | NOTES |
|--------|-----|-----------------------------------|--------------|-------|
| 01 | 1 | FLANGE CAP KIT | 027311SP | |
| 02 | 1 | BONDED SEAL | 160702SP | |
| 03 | 1 | CLUTCH GEAR & WAVESPRING KIT | 050906SP | |
| 04 | 2 | SHORT CROSS SHAFT | 060403SP | |
| 05 | 1 | LONG CROSS SHAFT | 060204SP | |
| 06 | 1 | SIDE GEAR | SEE NOTE | 2 |
| 07 | 2 | SIDE GEAR THRUST WASHER | SEE NOTE | 3 |
| 08 | 1 | COUNTERSUNK SCREW (PK OF 2) | 200213SP | |
| 09 | 1 | RETAINING PIN SET (PK OF 4) | 120601SP | |
| 10 | 2 | TAPERED ROLLER BARING | NOT SUPPLIED | |
| 11 | 1 | SEAL HOUSING RETAINING CLIP | 150602SP | |
| 12 | 1 | SEAL HOUSING KIT | 082002SP | |
| 13 | 1 | SEAL HOUSING O-RINGS (PK OF 2) | 160235-2 | 1 |
| 14 | 1 | ADJUSTER NUT | 100201SP | |
| 15 | 1 | WAVESPRING | 150706SP | |
| 16 | 1 | SPLINED SIDE GEAR | SEE NOTE | 2 |
| 17 | 4 | PINION GEAR | SEE NOTE | 2 |
| 18 | 4 | PINION THRUST WASHER | SEE NOTE | 3 |
| 19 | 1 | SPIDER BLOCK | 070201SP | |
| 20 | 1 | DIFFERENTIAL CASE | 013011SP | |
| * | 1 | BULKHEAD FITTING KIT (BANJO TYPE) | 170114 | 4 |
| * | 1 | AIR LINE (6mm DIA X 6m LONG) | 170314 | 4 |
| * | 1 | SOLENOID VALVE (12V) | 180103 | |
| * | 1 | SWITCH FR OR RR LOCKER | 180225SP | |
| * | 1 | CABLE TIE (PK OF 25) | 180305 | |
| * | 1 | OPERATING & SERVICE MANUAL | 210200 | |
| * | 1 | INSTALLATION GUIDE | 2102128 | |

* *Not illustrated in exploded view*

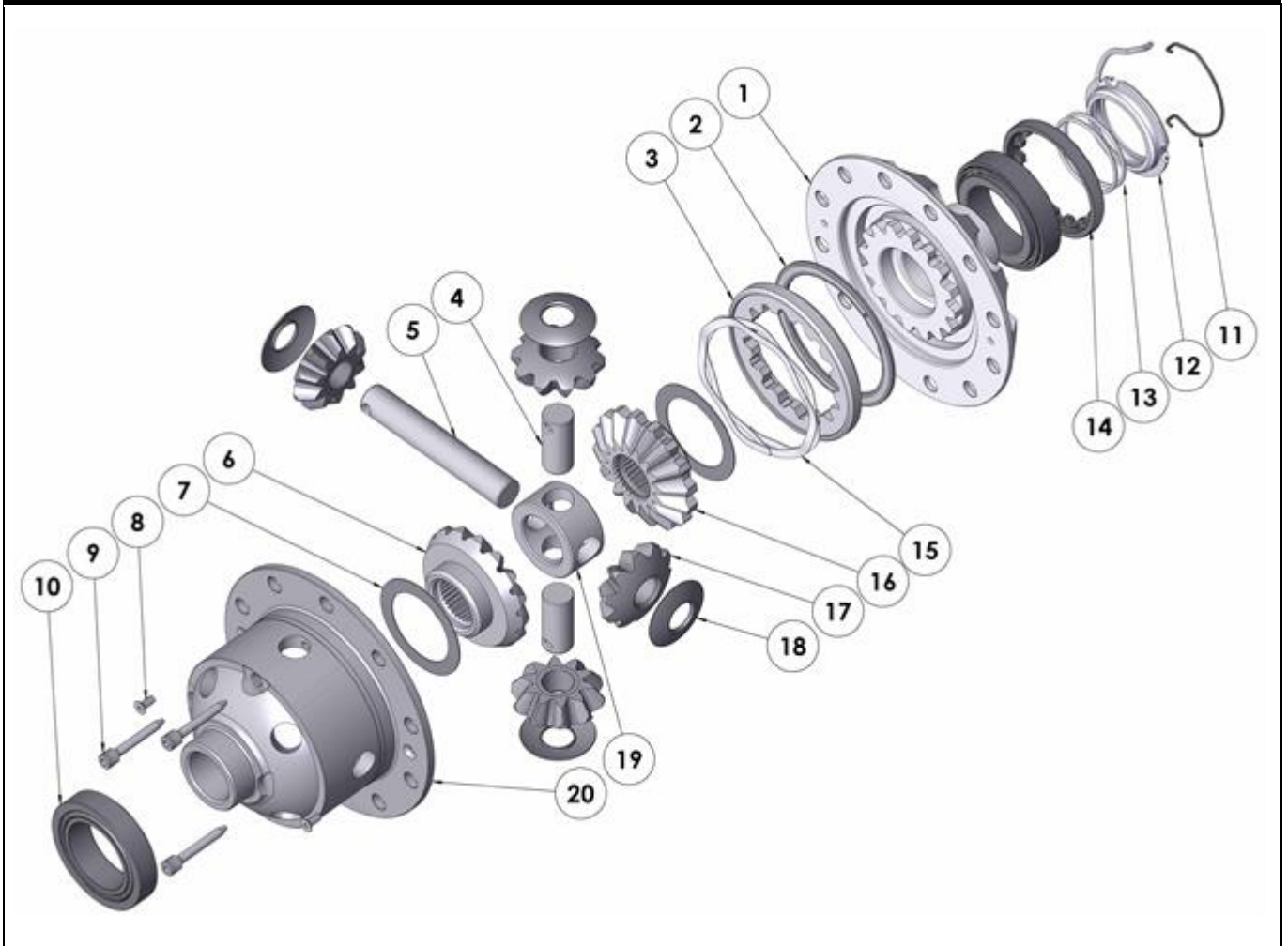
NOTES

- 1 For replacement O-rings use only BS133 Viton 75.
- 2 Available only as complete 6 gear set # 728H141
- 3 Available only as complete thrust washer kit #730H01
- 4 All diffs produced before serial #17070001 came with 5mm air connection system. For information contact ARB.
- This model replaces the Rover type differential carrier with a flange diameter of 174mm [6.85"]
- For the P38A differential with a flange diameter of 205mm [8.07"] refer to RD138 ([Section 2.138](#)).
- 5mm [3/16"] ring gear spacer plate (ARB part# 'RD03A') is available for use with early Land Rover 4.7:1 ratio gear but longer bolts must be used (Land Rover part# 576521).
- Refer to seal housing set-up tech note ([Sec. 5.2](#)).

RD128

Land Rover, 24 SPL, Banjo

EXPLODED DIAGRAM



SPECIFICATIONS

| | |
|--------------------|----------------------------|
| Axle Spline | 24 tooth, Ø31.5mm [1.24"] |
| Ratio Supported | 3.54:1 |
| Ring Gear ID | 125.4mm [4.94"] |
| Ring Gear Bolts | 10 bolts on Ø142mm [5.59"] |
| Ring Gear Torque | 58Nm [43 ft-lb] |
| Backlash | 0.10-0.17mm [0.004-0.007"] |
| Bearing Cap Torque | 90Nm [66 ft-lb] |

ARB Corporation Ltd • 42-44 Garden St Kilsyth VIC 3137 Australia
ARB 4X4 Accessories USA • 4810 D St. NW #103 Auburn WA 98001 USA
Australia & International Customer Service • +61 3 9761 6622
North America Customer Service • Toll Free 866 293 9078
www.arb.com.au (AUS & Int) www.arbusa.com (N. America)