

RD135

Nissan H233B,33 SPL

PARTS LIST

| ITEM # | QTY | DESCRIPTION | PART # | NOTES |
|--------|-----|-----------------------------------|--------------|-------|
| 01 | 1 | FLANGE CAP KIT | 027314SP | |
| 02 | 1 | BONDED SEAL | 160703SP | |
| 03 | 1 | CLUTCH GEAR & WAVESPRING KIT | 050904SP | 5 |
| 04 | 4 | SHORT CROSS SHAFT | 060403SP | |
| 05 | 4 | PINION GEAR | SEE NOTE | 3 |
| 06 | 4 | PINION THRUST WASHER | SEE NOTE | 4 |
| 07 | 1 | SIDE GEAR | SEE NOTE | 3 |
| 08 | 2 | SIDE GEAR THRUST WASHER | SEE NOTE | 4 |
| 09 | 1 | COUNTERSUNK SCREW (PK OF 2) | 200213SP | |
| 10 | 1 | RETAINING PIN SET (PK OF 4) | 120601SP | |
| 11 | - | TAPERED ROLLER BEARING | NOT SUPPLIED | 2 |
| 12 | 1 | SEAL HOUSING RETAINING CLIP | 150601SP | |
| 13 | 1 | SEAL HOUSING KIT | 081901SP | |
| 14 | 1 | SEAL HOUSING O-RINGS (PK OF 2) | 160207-2 | 1 |
| 15 | 1 | ADJUSTER NUT | 100102SP | |
| 16 | 1 | WAVESPRING | 150704SP | |
| 17 | 1 | SPLINED SIDE GEAR | SEE NOTE | 3 |
| 18 | 1 | SPIDER BLOCK | 070201SP | |
| 19 | 1 | DIFFERENTIAL CASE | 013014SP | |
| * | 9 | RING GEAR BOLT SPACER | 4581061 | |
| * | 1 | BULKHEAD FITTING KIT (BANJO TYPE) | 170114 | 6 |
| * | 1 | AIR LINE (6mm DIA X 6m LONG) | 170314 | 6 |
| * | 1 | SOLENOID VALVE (12V) | 180103 | |
| * | 1 | SWITCH RR LOCKER | 180224SP | |
| * | 1 | CABLE TIE (PK OF 25) | 180305 | |
| * | 1 | OPERATING & SERVICE MANUAL | 210200 | |
| * | 1 | INSTALLATION GUIDE | 2102135 | |

* *Not illustrated in exploded view*

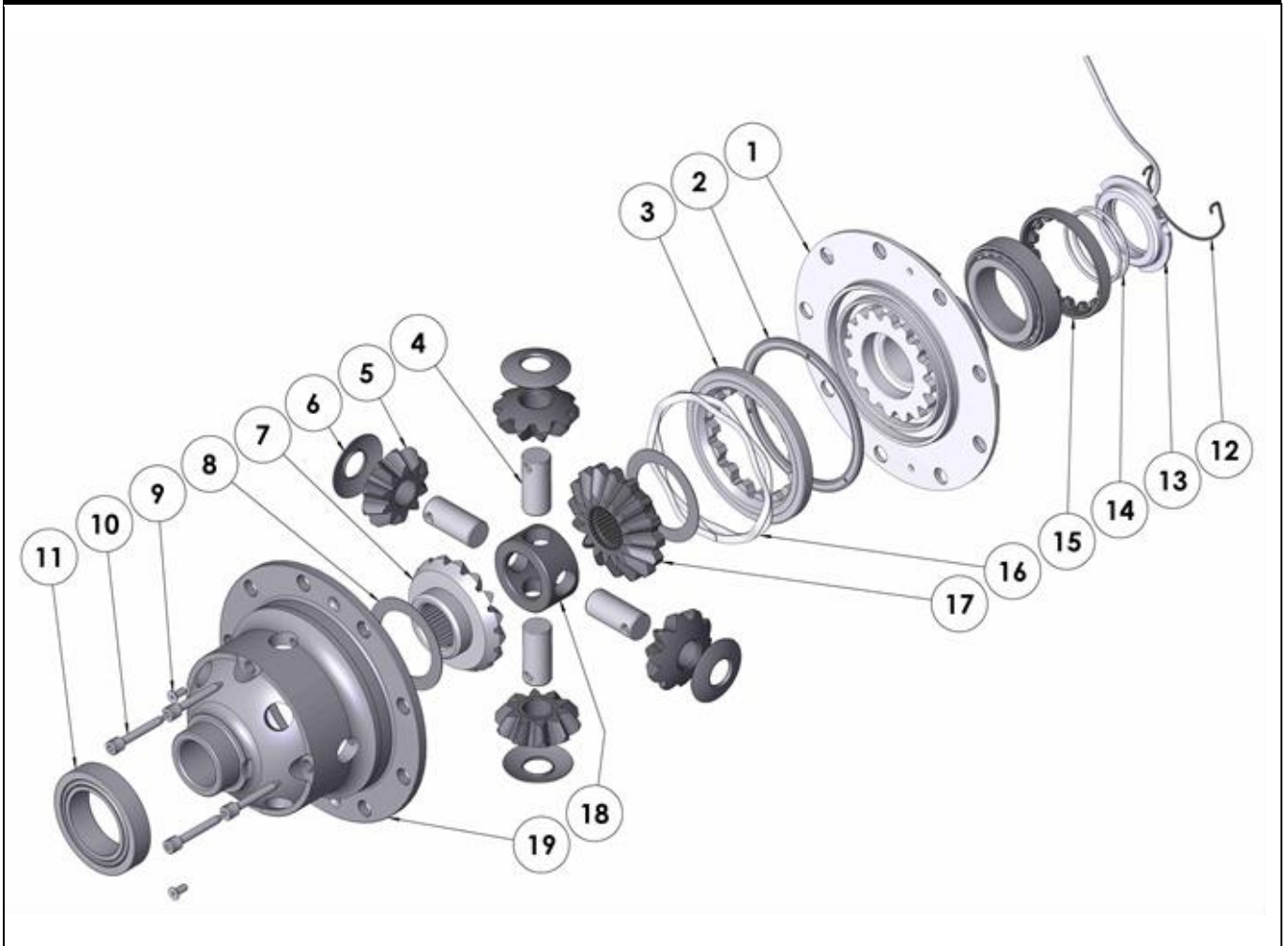
NOTES

- 1 For replacement O-rings use only BS136 Viton 75.
- 2 For replacement Bearing use Timken Bearing #32010X (ARB# 160116).
- 3 Available only as complete 6 gear set # 728H161
- 4 Available only as complete thrust washer kit #730H01
- 5 Always bench test both engagement and disengagement of the clutch gear before reinstalling *Air Locker* into the vehicle.
- 6 All diffs produced before serial #17070001 came with 5mm air connection system. For information contact ARB.
- Refer to seal housing set-up tech note ([Sec. 5.2](#)).
- Refer to pinion modification tech note ([Sec. 5.6](#)).

RD135

Nissan H233B,33 SPL

EXPLODED DIAGRAM



SPECIFICATIONS

| | |
|---------------------|----------------------------|
| Axle Spline | 33 tooth, Ø33.3mm [1.31"] |
| Ratio Supported | All |
| Ring Gear ID | 146.0mm [5.75"] |
| Ring Gear Bolts | 9 bolts on Ø176mm [6.93"] |
| Ring Gear Bolt Size | 12mm |
| Ring Gear Torque | 142Nm [105 ft-lb] |
| Backlash | 0.15-0.20mm [0.006-0.008"] |
| Bearing Cap Torque | 99Nm [73 ft-lb] |

ARB Corporation Ltd ▪ 42-44 Garden St Kilsyth VIC 3137 Australia
ARB 4X4 Accessories USA ▪ 4810 D St. NW #103 Auburn WA 98001 USA
Australia & International Customer Service ▪ +61 3 9761 6622
North America Customer Service ▪ Toll Free 866 293 9078
www.arb.com.au (AUS & Int) www.arbusa.com (N. America)

