

RD148

AAM 760,28 SPL

PARTS LIST

ITEM #	QTY	DESCRIPTION	PART #	NOTES
1	1	SEAL HOUSING O-RINGS (PK OF 2)	160235-2	1
2	1	SEAL HOUSING KIT	081801SP	
3	1	SHIM KIT	SHK003	
*	3	MASTER SHIM	150325	
4	1	BONDED SEAL	160701SP	
5	1	CLUTCH GEAR & WAVESPRING KIT	050903SP	
6	1	SPIDER BLOCK	070503SP	
7	1	LONG CROSS SHAFT	061302SP	
8	1	SIDE GEAR	SEE NOTE	3
9	1	COUNTERSUNK SCREW (PK OF 2)	200213SP	
10	1	RETAINING PIN SET (PK OF 4)	120601SP	
11	2	TAPERED ROLLER BEARING	160114	2
12	1	FLANGE CAP KIT	028509SP	
13	1	WAVESPRING	150702SP	
14	1	SPLINED SIDE GEAR	SEE NOTE	3
15	2	SHORT CROSS SHAFT	061402SP	
16	4	PINION GEAR	SEE NOTE	3
17	4	PINION THRUST WASHER	SEE NOTE	4
18	2	SIDE GEAR THRUST WASHER	SEE NOTE	4
19	1	DIFFERENTIAL CASE	013109SP	
*	1	BULKHEAD FITTING KIT (BANJO TYPE)	170114	5
*	1	AIR LINE (6mm DIA X 6m LONG)	170314	5
*	1	SOLENOID VALVE (12V)	180103	
*	1	SWITCH FR LOCKER	180223SP	
*	1	CABLE TIE (PK OF 25)	180305	
*	1	OPERATING & SERVICE MANUAL	210200	
*	1	INSTALLATION GUIDE	2102148	

* *Not illustrated in exploded view*

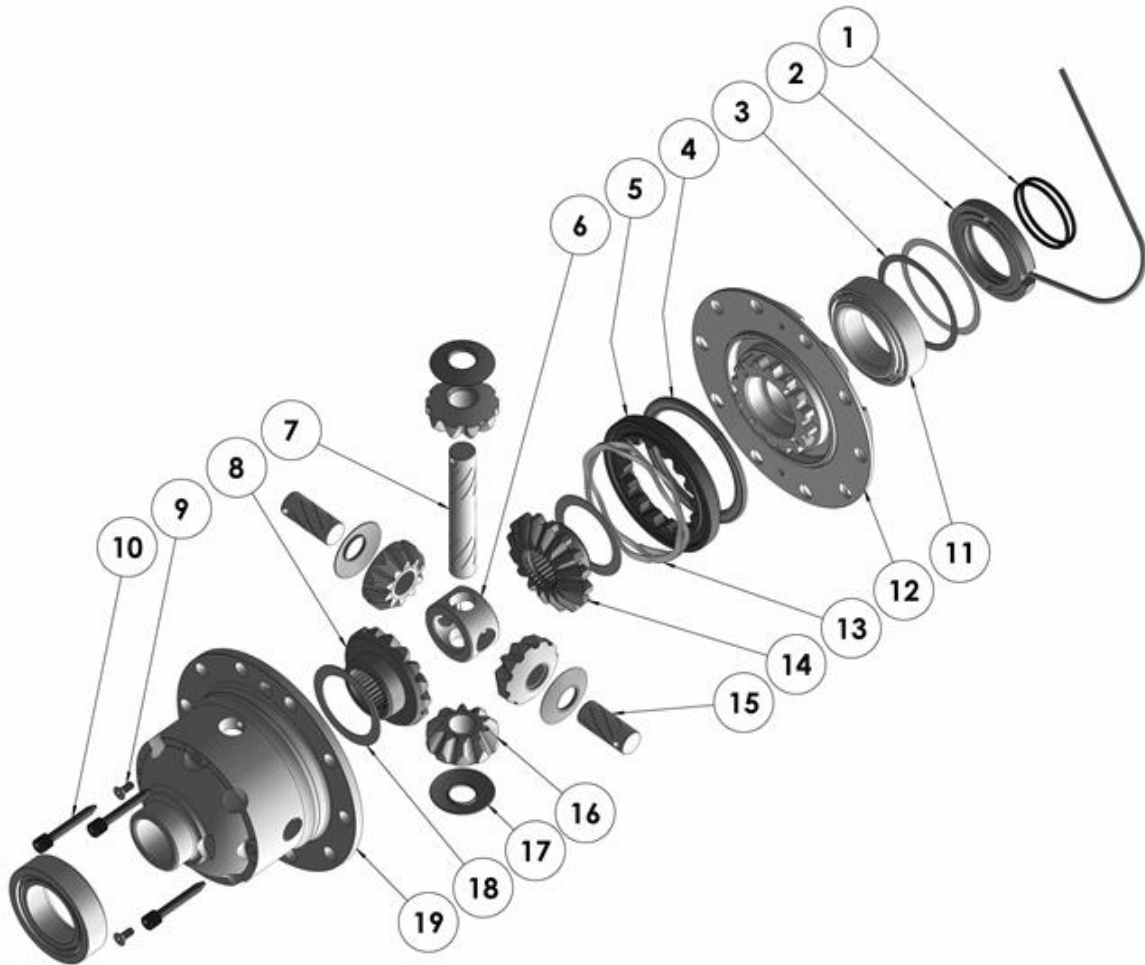
NOTES

- 1 For replacement O-rings use only BS135 Viton 75.
- 2 For replacement bearing use Timken part # LM102949 / LM102911
- 3 Available only as complete 6 gear set # 728J041
- 4 Available only as complete thrust washer kit #730J01
- 5 All diffs produced before serial #17070001 came with 5mm air connection system. For information contact ARB.

RD148

AAM 760,28 SPL

EXPLODED DIAGRAM



SPECIFICATIONS

Axle Spline	28 tooth, Ø30.5mm [1.20"]
Ratio Supported	All
Ring Gear ID	117.51mm [4.63"]
Ring Gear OD	193mm [7.6"]
Ring Gear Bolts	10 bolts on Ø147.32mm [5.8"]
Ring Gear Torque	120Nm [89 ft-lb]
Backlash	0.15-0.25mm [0.006-0.010"]
Bearing Cap Torque	63Nm [46 ft-lb] (aluminium) 75Nm [55 ft-lb] (cast iron)

ARB Corporation Ltd • 42-44 Garden St Kilsyth VIC 3137 Australia
ARB 4X4 Accessories USA • 4810 D St. NW #103 Auburn WA 98001 USA
Australia & International Customer Service • +61 3 9761 6622
North America Customer Service • Toll Free 866 293 9078
www.arb.com.au (AUS & Int) www.arbusa.com (N. America)