

RD149

Nissan M226,32 SPL, 10 bolt RG

PARTS LIST

| ITEM # | QTY | DESCRIPTION | PART # | NOTES |
|--------|-----|-----------------------------------|--------------|-------|
| 01 | 1 | FLANGE CAP KIT | 027321SP | |
| 02 | 1 | BONDED SEAL | 160702SP | |
| 03 | 1 | CLUTCH GEAR & WAVESPRING KIT | 050906SP | 5 |
| * | 1 | CLUTCH GEAR & RETURN SPRINGS KIT | 050806SP | 5 |
| 04 | 1 | SPIDER BLOCK | 070201SP | |
| 05 | 1 | LONG CROSS SHAFT | 060204SP | |
| 06 | 4 | PINION GEAR | SEE NOTE | 2 |
| 07 | 4 | PINION THRUST WASHER | SEE NOTE | 3 |
| 08 | 1 | SIDE GEAR | SEE NOTE | 2 |
| 09 | 2 | SIDE GEAR THRUST WASHER | SEE NOTE | 3 |
| 10 | 1 | DIFFERENTIAL CASE | 013021SP | |
| 11 | 1 | COUNTERSUNK SCREW (PK OF 2) | 200213SP | |
| 12 | 1 | RETAINING PIN SET (PK OF 4) | 120601SP | |
| 13 | - | TAPERED ROLLER BEARING | NOT SUPPLIED | |
| 14 | 1 | SEAL HOUSING KIT | 081809SP | |
| 15 | 1 | SEAL HOUSING O-RINGS (PK OF 2) | 160207-2 | 1 |
| 16 | 1 | WAVESPRING | 150706SP | 5 |
| * | 1 | RETURN SPRINGS KIT | 150113SP | 5 |
| 17 | 1 | SPLINED SIDE GEAR | SEE NOTE | 2 |
| 18 | 2 | SHORT CROSS SHAFT | 060403SP | |
| * | 1 | BULKHEAD FITTING KIT (BANJO TYPE) | 170114 | 4 |
| * | 1 | AIR LINE (6mm DIA X 6m LONG) | 170314SP | 4 |
| * | 1 | SOLENOID VALVE (12V) | 180103 | |
| * | 1 | SWITCH RR LOCKER | 180224SP | |
| * | 1 | CABLE TIE (PK OF 25) | 180305 | |
| * | 1 | OPERATING & SERVICE MANUAL | 210200 | |
| * | 1 | INSTALLATION GUIDE | 2102149 | |

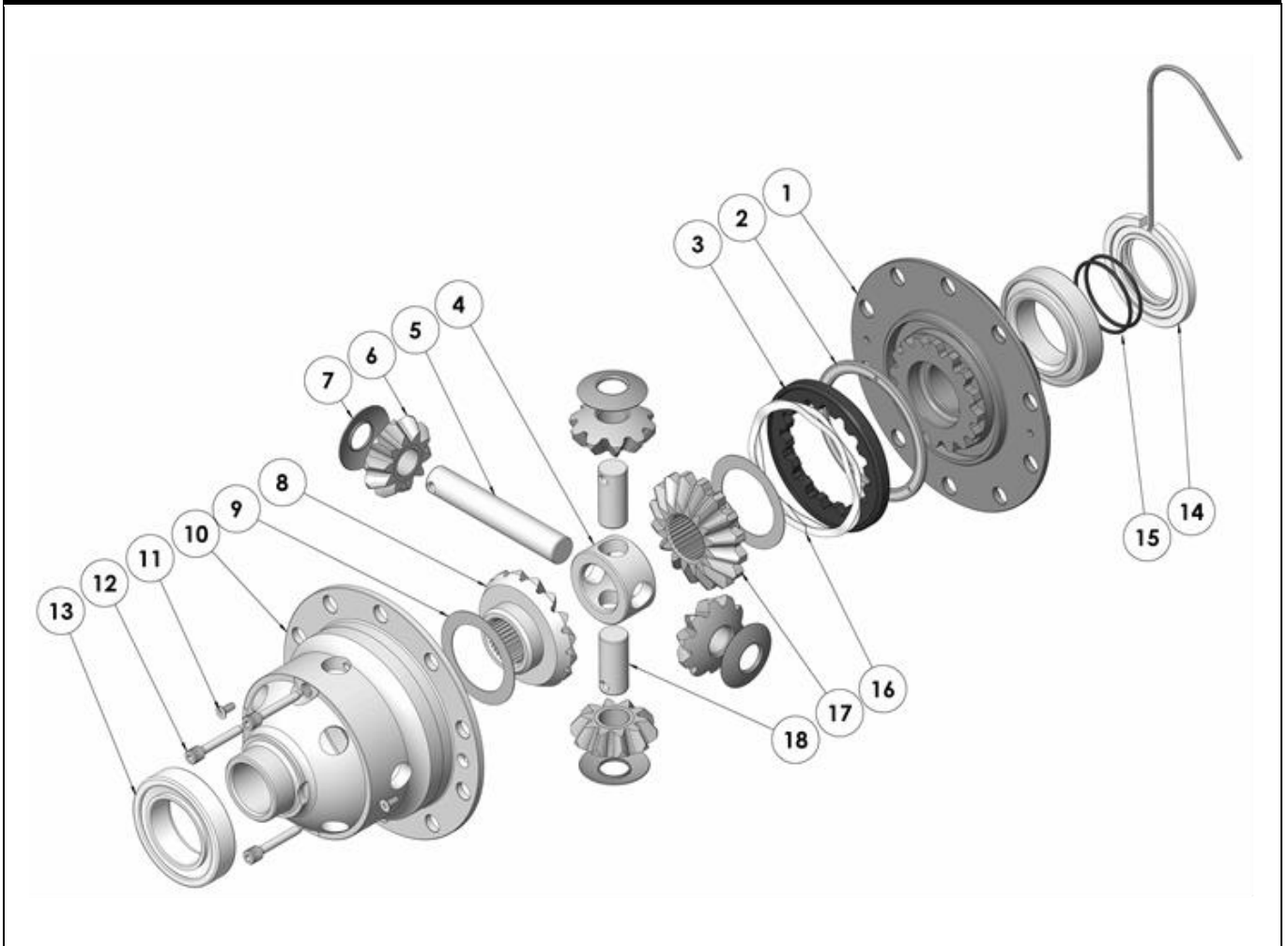
* *Not illustrated in exploded view*

NOTES

- 1 For replacement O-rings use only BS136 Viton 75.
- 2 Available only as complete 6 gear set # 728H171.
- 3 Available only as complete thrust washer kit #730H01.
- 4 All diffs produced before serial #17070001 came with 5mm air connection system. For information contact ARB.
- 5 Replace the spring and/or the corresponding clutch gear with the same type. (If spring type is changed, a matching diff case must also be used. See item 10.)
- For models with 12 bolt Ring Gear refer to RD159 ([Section 2.159](#)).

RD149

Nissan M226,32 SPL, 10 bolt RG

EXPLODED DIAGRAM**SPECIFICATIONS**

| | |
|--------------------|------------------------------|
| Axle Spline | 32 tooth, Ø35.8mm [1.41"] |
| Ratio Supported | All |
| Ring Gear ID | 141.3mm [5.56"] |
| Ring Gear OD | 226mm [8.9"] |
| Ring Gear Bolts | 10 bolts on Ø168.3mm [6.63"] |
| Ring Gear Torque | 198Nm [146 ft-lb] |
| Backlash | 0.08-0.13mm [0.003-0.005"] |
| Bearing Cap Torque | 108Nm [80 ft-lb] |

ARB Corporation Ltd • 42-44 Garden St Kilsyth VIC 3137 Australia
ARB 4X4 Accessories USA • 4810 D St. NW #103 Auburn WA 98001 USA
Australia & International Customer Service • +61 3 9761 6622
North America Customer Service • Toll Free 866 293 9078
www.arb.com.au (AUS & Int) www.arbusa.com (N. America)