

### RD155

Mitsubishi 9.5",33 SPL,IRS

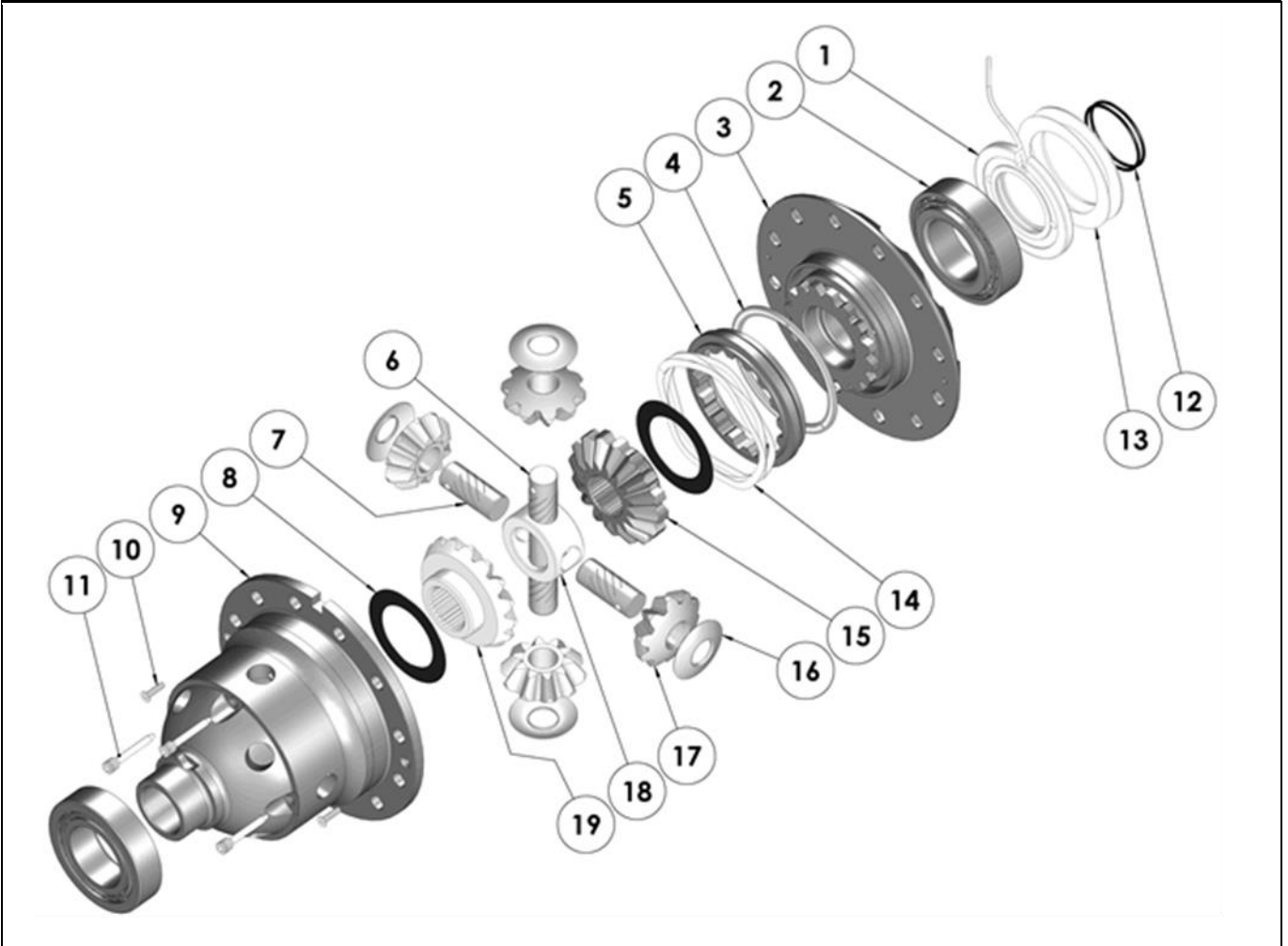
### PARTS LIST

ITEM #	QTY	DESCRIPTION	PART #	NOTES
01	1	SEAL HOUSING KIT	081813SP	
02	-	TAPERED ROLLER BEARING	NOT SUPPLIED	
03	1	FLANGE CAP KIT	027324SP	
04	1	BONDED SEAL	160702SP	
05	1	CLUTCH GEAR & WAVESPRING KIT	050906SP	
06	1	LONG CROSS SHAFT	060204SP	
07	2	SHORT CROSS SHAFT	060403SP	
08	2	SIDE GEAR THRUST WASHER	SEE NOTE	3
09	1	DIFFERENTIAL CASE	013024SP	
10	1	COUNTERSUNK SCREW (PK OF 2)	200213SP	
11	1	RETAINING PIN SET (PK OF 4)	120601SP	
12	1	SEAL HOUSING O-RINGS (PK OF 2)	160207-2	1
13	1	SHIM KIT	SHK005	
14	1	WAVESPRING	150706SP	
15	1	SPLINED SIDE GEAR	SEE NOTE	2
16	4	PINION THRUST WASHER	SEE NOTE	3
17	4	PINION GEAR	SEE NOTE	2
18	1	SPIDER BLOCK	070201SP	
19	1	SIDE GEAR	SEE NOTE	2
*	1	BULKHEAD FITTING KIT (BANJO TYPE)	170114	4
*	1	AIR LINE (6mm DIA X 6m LONG)	170314	4
*	1	SOLENOID VALVE (12V)	180103	
*	1	SWITCH RR LOCKER	180224SP	
*	1	CABLE TIE (PK OF 25)	180305	
*	1	OPERATING & SERVICE MANUAL	210200	
*	1	INSTALLATION GUIDE	2102155	

\* *Not illustrated in exploded view*

### NOTES

- 1 For replacement O-rings use only BS136 Viton 75.
- 2 Available only as complete 6 gear set # 728H221
- 3 Available only as complete thrust washer kit #730H01
- 4 All diffs produced before serial #17070001 came with 5mm air connection system. For information contact ARB.
- For 31 spline live axle models, please refer to RD154 ([Section 2.154](#))

**EXPLODED DIAGRAM****SPECIFICATIONS**

Axle Spline	33 tooth, Ø35.77mm [1.41"]
Ratio Supported	All
Ring Gear ID	144.97mm [5.71"]
Ring Gear OD	241.3mm [9.5"]
Ring Gear Bolts	12 bolts on Ø175mm [6.89"]
Ring Gear Torque	152Nm [112 ft-lb]
Backlash	0.13-0.18mm [0.005-0.007"]
Bearing Cap Torque	74Nm [55 ft-lb]

ARB Corporation Ltd • 42-44 Garden St Kilsyth VIC 3137 Australia  
ARB 4X4 Accessories USA • 4810 D St. NW #103 Auburn WA 98001 USA  
Australia & International Customer Service • +61 3 9761 6622  
North America Customer Service • Toll Free 866 293 9078  
www.arb.com.au (AUS & Int) www.arbusa.com (N. America)