

RD23

Toyota 8",50mm BRNG**

****THIS MODEL WAS SUPERSEDED BY RD132, CROSSED OUT PARTS NOT AVAILABLE**

PARTS LIST

ITEM #	QTY	DESCRIPTION	PART #	NOTES
01	1	FLANGE CAP	020402	
02	1	CLUTCH GEAR	050402	
03	1	DIFFERENTIAL CASE	040404	
04	1	RETURN SPRINGS (PK OF 4)	150101SP	
05	1	RETAINING PIN SET (PK OF 2)	120102SP	
*	1	RETAINING PIN SET (PK OF 2)	120302SP	
06	1	LONG CROSS SHAFT	060403	
07	2	SHORT CROSS SHAFT	060303	
08	1	PISTON	040103SP	
09	1	BONDED SEAL	160701SP	
10	1	CYLINDER CAP ASSEMBLY	030430	
11	1	CYL CAP RETAINING BOLT (PK OF 8)	200205SP	
12	1	LOCKING TAB (8mm) (PK OF 8)	150401SP	
13	1	TAPERED ROLLER BEARING	NOT SUPPLIED	
14	1	SEAL HOUSING RETAINING CLIP	150601SP	
15	1	SPLINED SIDE GEAR	SEE NOTE	2
16	1	PINION THRUST WASHER (PK OF 4)	151101SP	
17	4	PINION GEAR	SEE NOTE	2
18	1	SPIDER BLOCK	070404	
19	1	SIDE GEAR	SEE NOTE	2
20	1	S GEAR THRUST WASHER (PK OF 2)	151003SP	
21	1	ADJUSTER NUT	100101SP	
22	1	SEAL HOUSING KIT	081901SP	
23	1	SEAL HOUSING O-RINGS (PK OF 2)	160207-2	1
*	1	ADJUSTER NUT	100103SP	
*	1	BULKHEAD FITTING KIT (O-RING TYPE)	170111	
*	1	PUSH-IN FITTING (5mm to 1/8" BSPP)	170201SP	
*	1	AIR LINE (5mm DIA X 6m LONG)	170301SP	
*	1	SOLENOID VALVE (12V)	180103	
*	1	SWITCH FR OR RR LOCKER	180225	
*	1	CABLE TIE (PK OF 25)	180305	
*	1	OPERATING & SERVICE MANUAL	210200	
*	1	INSTALLATION GUIDE	210223	

* *Not illustrated in exploded view*

NOTES

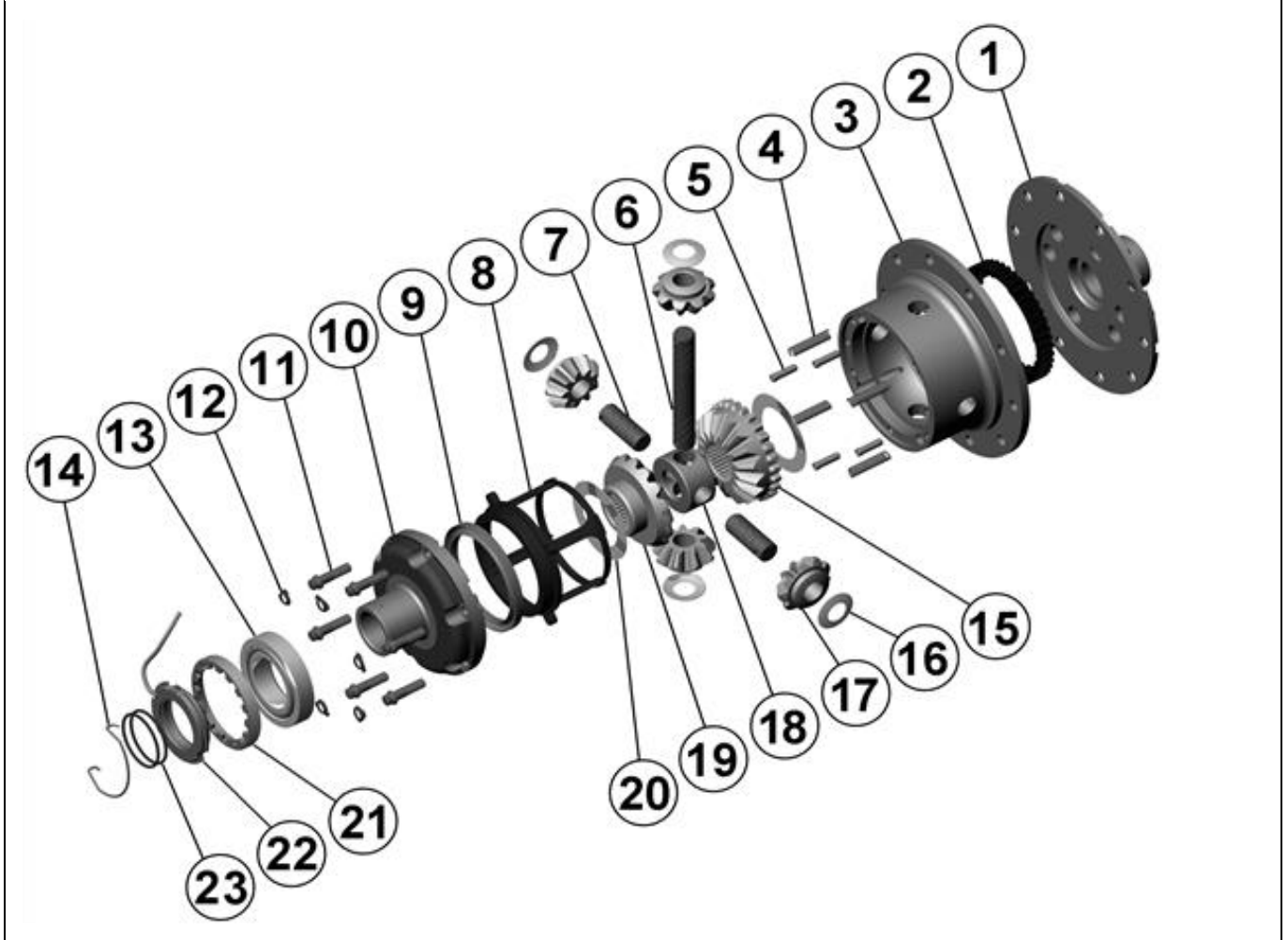
- 1 For replacement O-rings use only BS136 Viton 75.
- 2 Available only as complete 6 gear set # 728B024
- For 8" with 45mm carrier bearing ID, 50mm bearings must be acquired. ARB part #160116 and Timken part #32010X-32010X.
- Refer to seal housing set-up tech note ([Sec. 5.2](#)).
- Refer to pinion modification tech note ([Sec. 5.6](#)).
- For information on RD23 models with 4 cylinder cap bolts, contact ARB.
- Older RD23 models with O-ring grooves in the cylinder cap use; cylinder cap #030449, seal housing #080402 and O-ring BS031 #160209.

RD23

Toyota 8",50mm BRNG**

****THIS MODEL WAS SUPERSEDED BY RD132, CROSSED OUT PARTS NOT AVAILABLE**

EXPLODED DIAGRAM



SPECIFICATIONS

Axle Spline	30 tooth, Ø33mm [1.31"]
Ratio Supported	All
Ring Gear ID	126.0mm [4.96"]
Ring Gear OD	200mm [8"]
Ring Gear Bolts	10 bolts on Ø160mm [6.30"]
Ring Gear Torque	95Nm [70 ft-lb]
Backlash	0.15-0.25mm [0.006-0.010"]
Bearing Cap Torque	95Nm [70 ft-lb]

ARB Corporation Ltd • 42-44 Garden St Kilsyth VIC 3137 Australia
ARB 4X4 Accessories USA • 4810 D St. NW #103 Auburn WA 98001 USA
Australia & International Customer Service • +61 3 9761 6622
North America Customer Service • Toll Free 866 293 9078
www.arb.com.au (AUS & Int) www.arbusa.com (N. America)