

RD74

Suzuki Vitara,RR,26 SPL,10 bolt RG

****THIS MODEL WAS SUPERSEDED BY RD204, CROSSED OUT PARTS NOT AVAILABLE**

PARTS LIST

| ITEM # | QTY | DESCRIPTION | PART # | NOTES |
|--------|-----|------------------------------------|--------------|-------|
| 01 | 1 | FLANGE CAP | 021803 | |
| 02 | 1 | CLUTCH GEAR | 050504 | |
| 03 | 1 | DIFFERENTIAL CASE | 041903 | |
| 04 | 1 | RETURN SPRINGS (PK OF 4) | 150102SP | |
| 05 | 1 | RETAINING PIN SET (PK OF 4) | 120401SP | |
| 06 | 1 | LONG CROSS SHAFT | 061404 | |
| 07 | 2 | SHORT CROSS SHAFT | 061204 | |
| 08 | 1 | PISTON | 040601SP | |
| 09 | 1 | U-RING | 160303SP | |
| 10 | 1 | CYLINDER CAP ASSEMBLY | 030905 | |
| 11 | 1 | CYL CAP RETAINING BOLT (PK OF 8) | 200207SP | |
| 12 | 1 | LOCKING TAB (6mm) (PK OF 8) | 150402SP | |
| 13 | 1 | TAPERED ROLLER BEARING | NOT SUPPLIED | |
| 14 | 1 | SEAL HOUSING RETAINING CLIP | 150601SP | |
| 15 | 1 | SPLINED SIDE GEAR | SEE NOTE | 2 |
| 16 | 1 | PINION THRUST WASHER (PK OF 4) | 151107SP | |
| 17 | 4 | PINION GEAR | SEE NOTE | 2 |
| 18 | 1 | SPIDER BLOCK | 070502 | |
| 19 | 1 | SIDE GEAR | SEE NOTE | 2 |
| 20 | 1 | S GEAR THRUST WASHER (PK OF 2) | 151005SP | |
| 21 | 1 | ADJUSTER NUT | 100101SP | |
| 22 | 1 | SEAL HOUSING KIT | 081902SP | |
| 23 | 1 | SEAL HOUSING O-RINGS (PK OF 2) | 160235-2 | 1 |
| * | 1 | BULKHEAD FITTING KIT (O-RING TYPE) | 170111 | |
| * | 1 | PUSH-IN FITTING (5mm to 1/8" BSPP) | 170201SP | |
| * | 1 | AIR LINE (5mm DIA X 6m LONG) | 170301SP | |
| * | 1 | SOLENOID VALVE | 180103 | |
| * | 1 | SWITCH RR LOCKER | 180224 | |
| * | 1 | CABLE TIE (PK OF 25) | 180305 | |
| * | 1 | OPERATING & SERVICE MANUAL | 210200 | |
| * | 1 | INSTALLATION GUIDE | 210274 | |

* *Not illustrated in exploded view*

NOTES

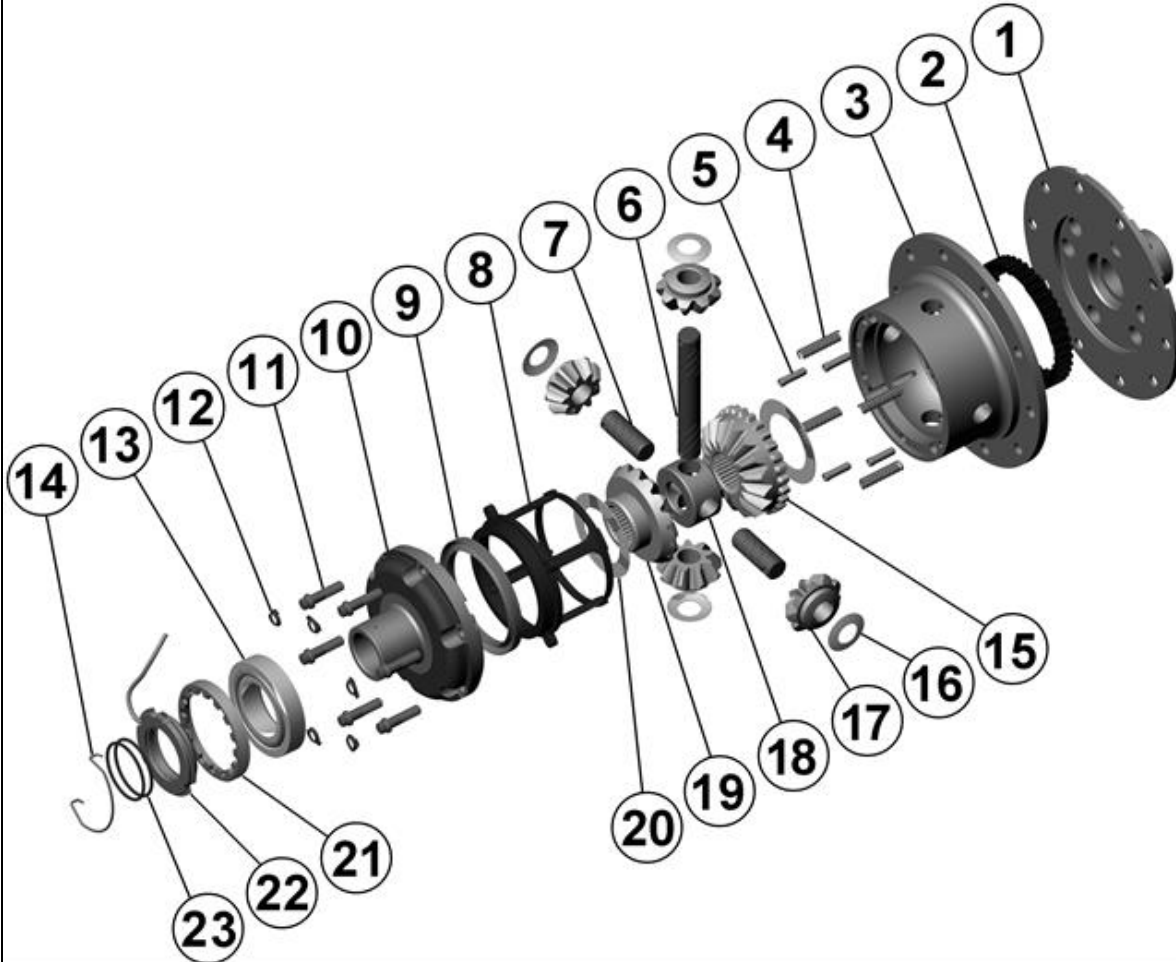
- 1 For replacement O-rings use only BS133 Viton 75.
- 2 Available only as complete 6 gear set # 728F052
- For seal housing set-up refer to tech note (Section 5.1 / 5.2).

RD74

Suzuki Vitara,RR,26 SPL,10 bolt RG

****THIS MODEL WAS SUPERSEDED BY RD204, CROSSED OUT PARTS NOT AVAILABLE**

EXPLODED DIAGRAM



SPECIFICATIONS

| | |
|--------------------|----------------------------|
| Axle Spline | 26 tooth, Ø27.4mm [1.08"] |
| Ratio Supported | All |
| Ring Gear ID | 118.0mm [4.65"] |
| Ring Gear Bolts | 10 bolts on Ø140mm [5.51"] |
| Ring Gear Torque | 95Nm [70 ft-lb] |
| Backlash | 0.13-0.18mm [0.005-0.007"] |
| Bearing Cap Torque | 85Nm [63 ft-lb] |

ARB Corporation Ltd • 42-44 Garden St Kilsyth VIC 3137 Australia
ARB 4X4 Accessories USA • 4810 D St. NW #103 Auburn WA 98001 USA
Australia & International Customer Service • +61 3 9761 6622
North America Customer Service • Toll Free 866 293 9078
www.arb.com.au (AUS & Int) www.arbusa.com (N. America)