

ARB AIR LOCKER *Air Operated Locking Differentials*

CKBLTA12

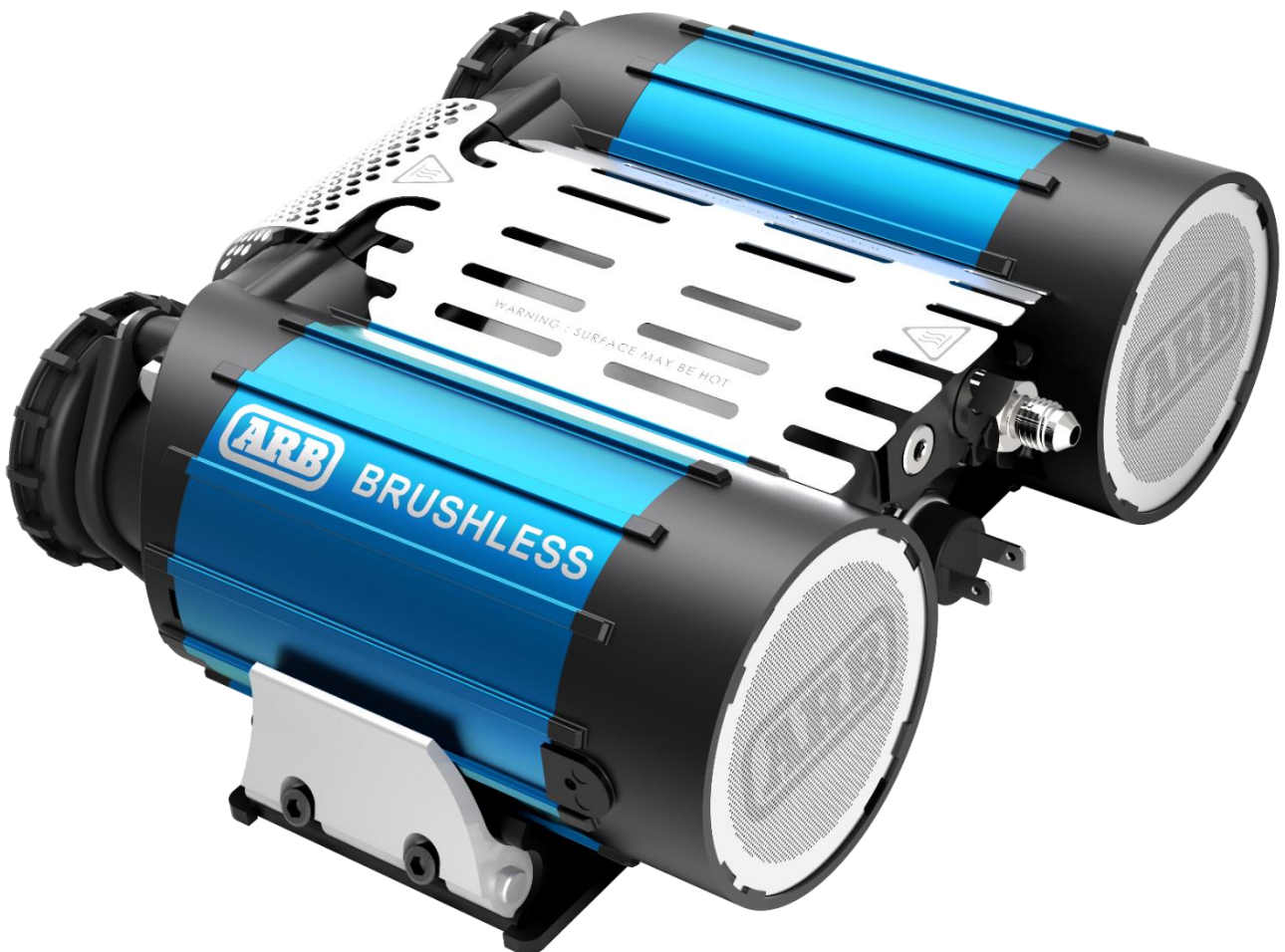
Brushless Twin On-Board Compressor

ITEM #	QTY	DESCRIPTION	PART #	NOTES	ITEM #	QTY	DESCRIPTION	PART #	NOTES
1	2	O-RING (CUSTOM SIZE)	160907	1	21	2	CAP SCREW (M6 x 25 mm)	200718	1, 5
2	1	MANIFOLD TUBE	330215		22	2	RETAINING RING (DIN7993 RW-14)	6151767	1
3	1	MANIFOLD CAP (1/4" NPSC)	330216		23	2	AXLE	320232	1
4	1	SAFETY VALVE POPPET	320205	1	24	4	HEX BOLT (M6 x 80 mm)	200719	4
5	1	SAFETY VALVE SPRING	150115	1	25	2	MOTOR ASSEMBLY	330104	
6	1	SAFETY VALVE FITTING	320204	1, 3	26	1	COMPLIANCE STICKER	2128752	
7	2	HEX BOLT (M6 x 100 mm)	200720	1, 4	27	1	FITTING KIT	6178154	2
8	2	FLAT WASHER (M6)	6151046	1	28	1	WIRING HARNESS	180431	2
9	2	O-RING (METRIC 2 x 6 mm)	160908	1					
10	1	COMPRESSOR MOUNT ASSEMBLY	330108						
11	2	MOTOR END CAP FASCIA	330217						
12	1	HEAT SHIELD	330225						
13	1	COMPRESSOR HEAD	330209						
14	6	O-RING (BS032S70)	160247	1					
15	2	VALVE PLATE ASSEMBLY	320105	1					
16	2	PISTON ASSEMBLY	320103	1					
17	2	AIR FILTER ASSEMBLY	320501	1					
18	4	HEX BOLT (M6 x 10 mm)	6151496	4					
19	2	AIR FILTER FLANGE	320212						
20	2	O-RING (BS029N70)	160250	1					

FITTING KIT CONTENTS:		
4	HEX NUT (NYLON LOCKING M6)	6151223
4	HEX BOLT (M6 x 25 mm)	200405
8	FLAT WASHER (M6 x 20 mm)	200709
1	PRESSURE SWITCH (150 psi)	180901SP
1	ROCKER SWITCH	180222SP
1	ADAPTOR (1/4 NPSC JIC-4 M-M)	170633

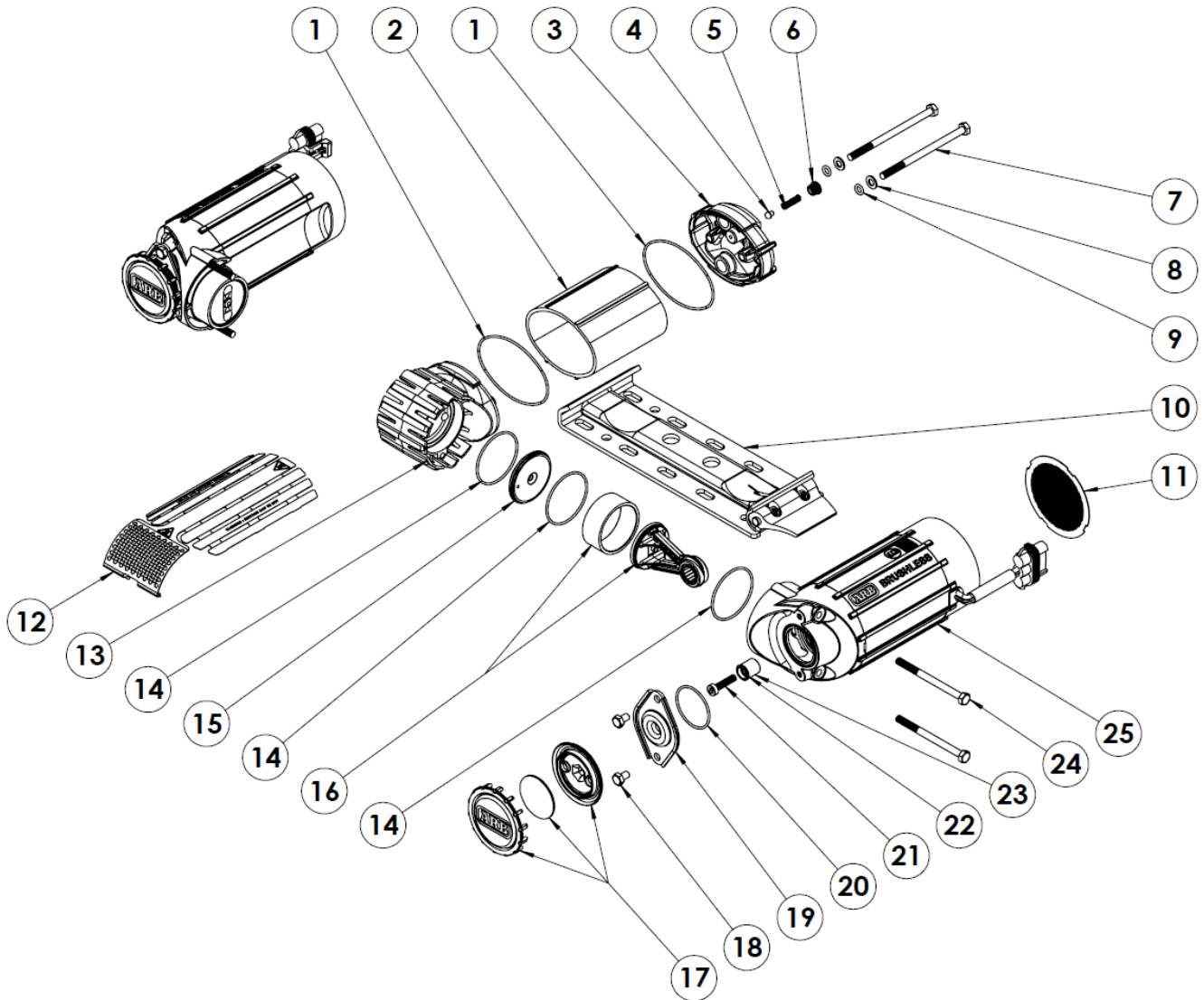
Notes:

- 1 Included in Complete Overhaul Kit (P/N 180914) – two kits required for twin compressors
- 2 Not illustrated in exploded view
- 3 Torque to 4 Nm
- 4 Torque to 6 Nm
- 5 Torque to 13 Nm and add thread lock



CKBLTA12

Brushless Twin On-Board Compressor



ARB AIR LOCKER *Air Operated Locking Differentials*

CKBLTA12

Air Compressor – Detailed Specifications

GENERAL SPECS		METRIC		IMPERIAL	
SUPPLY VOLTAGE		12	Volts DC	12	Volts DC
MAX CURRENT DRAW (each motor)		45	Amps	45	Amps
FUSE RATING (each motor)		60	Amps	60	Amps
WEIGHT (total kit)		7.2	kg	15.8	lb
DIMENSIONS	- LENGTH	210	mm	8.3	in
	- WIDTH	280	mm	11.0	in
	- HEIGHT	100	mm	3.9	in
DUTY CYCLE		100%	60 minutes running per hour 22 °C, 200 kPa [72 °F, 29 psi]		
PRESSURE SWITCH CLOSED (motor on)		930	kPa	135	psi
PRESSURE SWITCH OPEN (motor off)		1030	kPa	150	psi
SAFETY VALVE PRESSURE		1240	kPa	180	psi
MAX. AMBIENT TEMPERATURE		100	°C	212	°F

SPECS at NO LOAD		METRIC		IMPERIAL	
TEST PRESSURE		0	kPa	0	psi
CURRENT DRAW		30	Amps	30	Amps
AIR FLOW		260	L/min	9.2	CFM

SPECS at TYRE PRESSURE		METRIC		IMPERIAL	
TEST PRESSURE		200	kPa	29	psi
CURRENT DRAW		80	Amps	80	Amps
AIR FLOW		176	L/min	6.2	CFM

NOTE: The specifications above were recorded under laboratory conditions at 22°C [72°F].

EXTERNAL CONNECTIONS SPECS	
AIR INTAKE THREADS (female)	1/4-18 NPSC (parallel pipe thread)
AIR FILTER THREAD (male)	1/4-18 NPT (tapered pipe thread)
MANIFOLD OUTLET THREAD	1/4-18 NPSC (parallel pipe thread)