

# ARB AIR LOCKER *Air Operated Locking Differentials*

## CKBLP12

### Brushless Single Portable Compressor

ITEM #	QTY	DESCRIPTION	PART #	NOTES	ITEM #	QTY	DESCRIPTION	PART #	NOTES
<b>CASE AND ACCESSORIES</b>					<b>COMPRESSOR</b>				
1	1	CARRY CASE	270109		15	1	MOTOR ASSEMBLY	330104	
2	1	AIR HOSE (7 m)	171301V2		16	1	COMPRESSOR MOUNT ASSEMBLY	330109	
*	1	POLARITY CORRECTION CLAMPS	180437	2	17	1	O-RING (BS031S70)	160909	1
*	1	INFLATION ACCESSORY KIT	171303V2	2	18	1	MANIFOLD (1/4" NPSC)	330213	
<b>CHASSIS AND AIR FITTINGS</b>					19	1	PRESSURE SWITCH (150 psi)	180912	4
3	1	CHASSIS	330220		20	1	O-RING (METRIC 2 x 6 mm)	160908	1
4	4	SCREW (PLASTIC SELF TAPPING)	6152264		21	1	FLAT WASHER (M6)	6151046	1
5	1	ROCKER SWITCH	180221SP		22	1	HEX BOLT (M6 x 100 mm)	200720	1, 5
6	1	HOSE COUPLING	171403	7	23	1	SAFETY VALVE FITTING	320204	1, 4
7	2	SCREW (M3 x 20 mm)	6152224	3	24	1	SAFETY VALVE SPRING	150115	1
8	1	WIRING HARNESS	180435	2	25	1	SAFETY VALVE POPPET	320205	1
9	1	ELBOW (JIC-4 M-F)	0740104B	6	26	1	ADAPTOR (1/4 NPSC JIC-4 M-M)	170633	4
10	2	HEX NUT (NYLON LOCKING M3)	6151703		27	2	SCREW (M3 x 5 mm)	6152223	3
11	1	HARD AIR LINE	330229	6	28	1	HEAT SHIELD	330223	
12	1	HARNESS CLIP	15427170		29	1	COMPRESSOR HEAD	330208	
13	1	HARNESS HOLDER	330226		30	1	VALVE PLATE ASSEMBLY	320105	1
14	2	SCREW (M6 x 12 mm)	6152225		31	1	PISTON ASSEMBLY	320103	1
					32	3	O-RING (BS032S70)	160247	1
					33	1	O-RING (BS029N70)	160250	1
					34	1	AXLE	320232	1
					35	1	CAP SCREW (M6 x 25 mm)	200718	1, 8
					36	1	RETAINING RING (DIN7993 RW-14)	6151767	1
					37	1	AIR FILTER FLANGE	320212	
					38	1	AIR FILTER ASSEMBLY	320501	1
					39	2	HEX BOLT (M6 x 10 mm)	6151496	5
					40	2	HEX BOLT (M6 x 80 mm)	200719	5
					*	1	COMPLIANCE STICKER	2128752	2

#### Notes:

- 1 Included in Complete Overhaul Kit (P/N 180914)
- 2 Not illustrated in exploded view
- 3 Torque to 1 Nm
- 4 Torque to 4 Nm
- 5 Torque to 6 Nm
- 6 Torque to 10 Nm
- 7 Torque to 15 Nm
- 8 Torque to 13 Nm and add thread lock



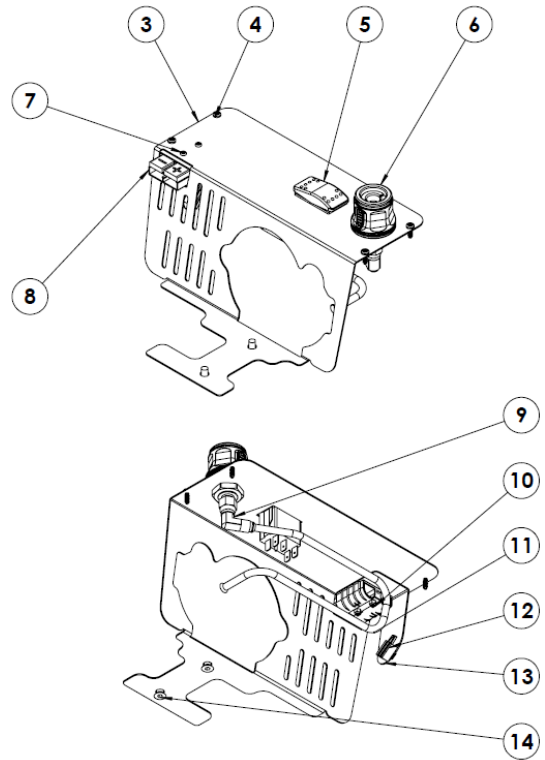
**CKBLP12**

**Air Compressor – Exploded Parts Diagram**

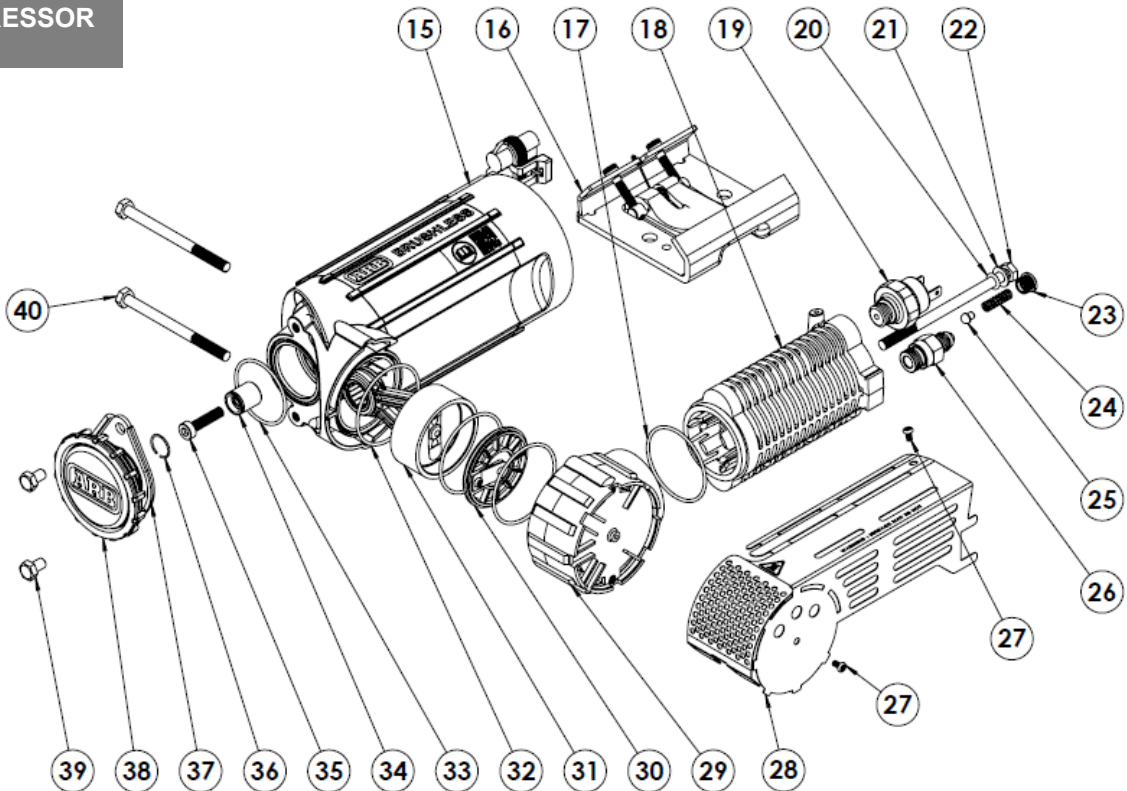
**CASE AND ACCESSORIES**



**CHASSIS AND AIR FITTINGS**



**COMPRESSOR**



**CKBLP12**

**Air Compressor – Detailed Specifications**

GENERAL SPECS		METRIC		IMPERIAL	
SUPPLY VOLTAGE		12	Volts DC	12	Volts DC
MAX CURRENT DRAW		45	Amps	45	Amps
WEIGHT (total kit)		7.9	kg	17.4	lb
DIMENSIONS	- LENGTH	440	mm	17.3	in
	- WIDTH	238	mm	9.4	in
	- HEIGHT	208	mm	8.2	in
DUTY CYCLE		90%	54 minutes running per hour 22 °C, 200 kPa [72 °F, 29 psi]		
PRESSURE SWITCH CLOSED (motor on)		930	kPa	135	psi
PRESSURE SWITCH OPEN (motor off)		1030	kPa	150	psi
SAFETY VALVE PRESSURE		1240	kPa	180	psi
MAX. AMBIENT TEMPERATURE		100	°C	212	°F

SPECS at NO LOAD		METRIC		IMPERIAL	
TEST PRESSURE		0	kPa	0	psi
CURRENT DRAW		15	Amps	15	Amps
AIR FLOW		130	L/min	4.6	CFM

SPECS at TYRE PRESSURE		METRIC		IMPERIAL	
TEST PRESSURE		200	kPa	29	psi
CURRENT DRAW		40	Amps	40	Amps
AIR FLOW		88	L/min	3.1	CFM

**NOTE:** The specifications above were recorded under laboratory conditions at 22°C [72°F].

EXTERNAL CONNECTIONS SPECS	
AIR INTAKE THREADS (female)	1/4-18 NPSC (parallel pipe thread)
AIR FILTER THREAD (male)	1/4-18 NPT (tapered pipe thread)
MANIFOLD OUTLET THREAD	1/4-18 NPSC (parallel pipe thread)
AIR COUPLING FITTING TYPE (international equivalent standards)	'US Industrial Standard' ISO 6150 B, US.MIL.C 4109, Legris series 23, Rectus series 23/24/1400, Tema series 1400, DYNAQUIP D3, CEJN 310, Norma / AFNOR: NF.E49.053, Parker series 30-1/4" and 20-1/4", Aignep 220, Hansen series 3000, Norgren series 237, Gromelle series 600

