

# ARB AIR LOCKER *Air Operated Locking Differentials*

## CKBLTP12

### Brushless Twin Portable Compressor

ITEM #	QTY	DESCRIPTION	PART #	NOTES	ITEM #	QTY	DESCRIPTION	PART #	NOTES
<b>CASE AND ACCESSORIES</b>					<b>COMPRESSOR</b>				
1	1	CARRY CASE	270110		17	2	MOTOR ASSEMBLY	330104	
2	1	BLOW GUN	171309		18	4	HEX BOLT (M6 x 80 mm)	200719	5
3	1	AIR HOSE (7 m)	171301V2		19	2	AXLE	320232	1
*	1	POLARITY CORRECTION CLAMPS	180437	2	20	2	RETAINING RING (DIN7993 RW-14)	6151767	1
*	1	INFLATION ACCESSORY KIT	171303V2	2	21	2	CAP SCREW (M6 x 25 mm)	200718	1, 8
<b>CHASSIS AND AIR FITTINGS</b>					22	2	O-RING (BS029N70)	160250	1
4	1	WIRING HARNESS	180436		23	2	AIR FILTER FLANGE	320212	
5	2	HEX NUT (NYLON LOCKING M3)	6151703		24	4	HEX BOLT (M6 x 10 mm)	6151496	5
6	2	SCREW (M3 x 20 mm)	6152224	3	25	2	AIR FILTER ASSEMBLY	320501	1
7	1	CHASSIS	330222		26	1	COMPRESSOR MOUNT ASSEMBLY	330110	
8	1	ROCKER SWITCH	180221		27	1	HEAT SHIELD	330224	
9	1	HOSE COUPLING	171403	7	28	1	COMPRESSOR HEAD	330209	
10	1	AIR TANK (4 L)	170507		29	2	O-RING (CUSTOM SIZE)	160907	1
11	2	AIR TANK BRACKET	330221		30	1	MANIFOLD TUBE	330215	
12	4	HEX BOLT (M6 x 10 mm)	6151496	5	31	1	MANIFOLD CAP (1/4" NPSC)	330216	
13	1	HARD AIR LINE	330227	6	32	2	O-RING (METRIC 2 x 6 mm)	160908	1
14	1	HARD AIR LINE	330228	6	33	2	FLAT WASHER (M6)	6151046	1
15	2	HARNESS CLIP	15427170		34	1	PRESSURE SWITCH (150 psi)	180912	4
16	6	SCREW (M6 x 12 mm)	6152225		35	1	SAFETY VALVE POPPET	320205	1
					36	1	SAFETY VALVE SPRING	150115	1
					37	1	SAFETY VALVE FITTING	320204	1, 4
					38	2	HEX BOLT (M6 x 100 mm)	200720	1, 5
					39	1	ADAPTOR (1/4 NPSC JIC-4 M-M)	170633	4
					40	6	O-RING (BS032S70)	160247	1
					41	2	VALVE PLATE ASSEMBLY	320105	1
					42	2	PISTON ASSEMBLY	320103	1
					*	1	COMPLIANCE STICKER	2128752	2

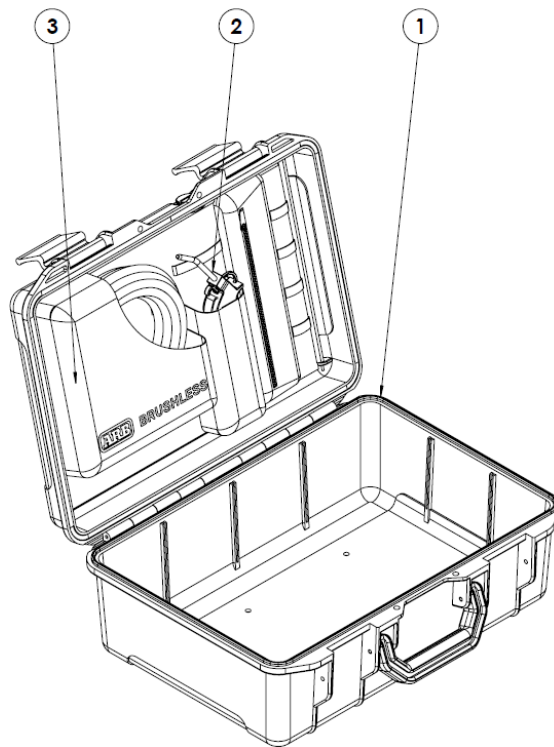
- 1 Included in Complete Overhaul Kit (P/N 180914) – two kits required for twin compressors
- 2 Not illustrated in exploded view
- 3 Torque to 1 Nm
- 4 Torque to 4 Nm
- 5 Torque to 6 Nm
- 6 Torque to 10 Nm
- 7 Torque to 15 Nm
- 8 Torque to 13 Nm and add thread lock



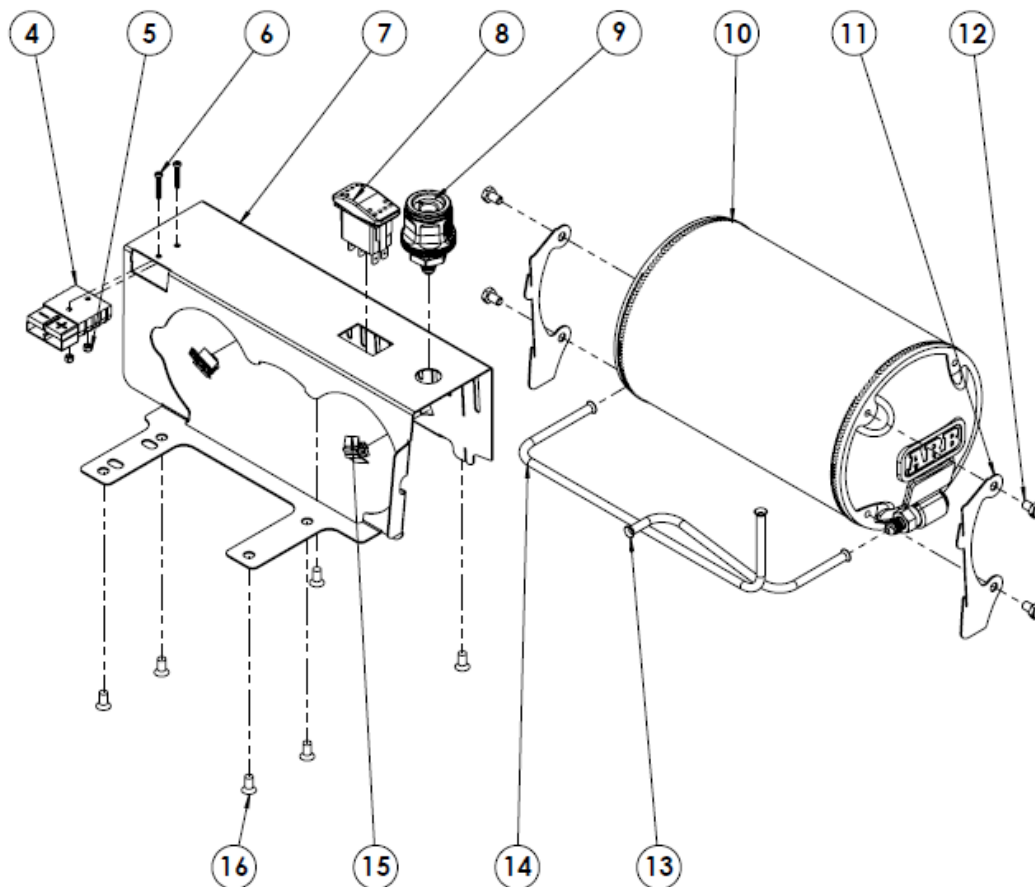
**CKBLTP12**

Air Compressor – Exploded Parts Diagram

CASE AND ACCESSORIES

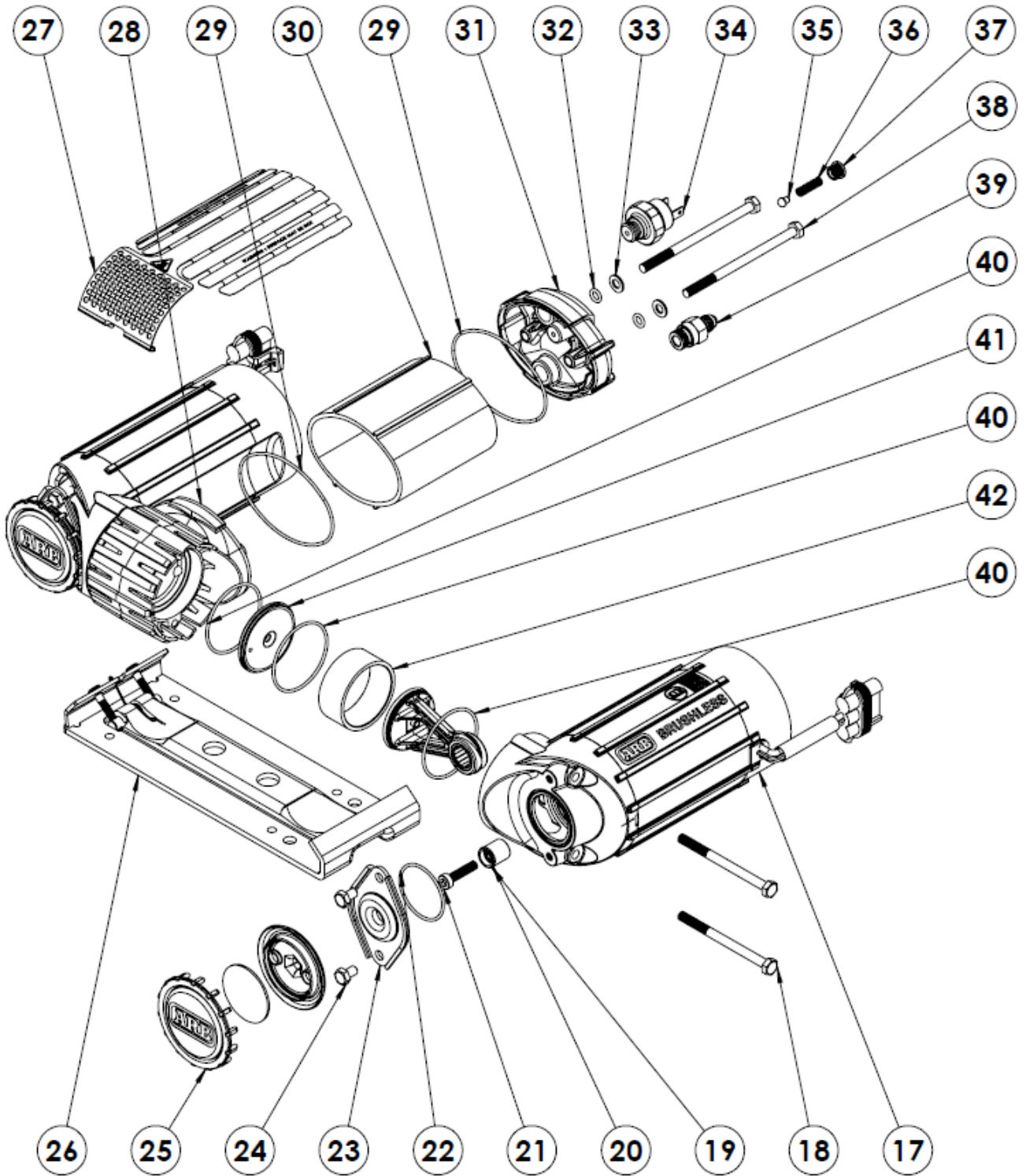


CHASSIS AND AIR FITTINGS



# ARB AIR LOCKER *Air Operated Locking Differentials*

## COMPRESSOR



## CKBLTP12

### Air Compressor – Detailed Specifications

GENERAL SPECS		METRIC		IMPERIAL	
SUPPLY VOLTAGE		12	Volts DC	12	Volts DC
MAX CURRENT DRAW (each motor)		45	Amps	45	Amps
WEIGHT (total kit)		13.3	kg	29.3	lb
DIMENSIONS	- LENGTH	478	mm	18.8	in
	- WIDTH	355	mm	14.0	in
	- HEIGHT	186	mm	7.3	in
DUTY CYCLE		90%	54 minutes running per hour 22 °C, 200 kPa [72 °F, 29 psi]		
PRESSURE SWITCH CLOSED (motor on)		930	kPa	135	psi
PRESSURE SWITCH OPEN (motor off)		1030	kPa	150	psi
SAFETY VALVE PRESSURE		1240	kPa	180	psi
MAX. AMBIENT TEMPERATURE		100	°C	212	°F

SPECS at NO LOAD		METRIC		IMPERIAL	
TEST PRESSURE		0	kPa	0	psi
CURRENT DRAW		30	Amps	30	Amps
AIR FLOW		260	L/min	9.2	CFM

SPECS at TYRE PRESSURE		METRIC		IMPERIAL	
TEST PRESSURE		200	kPa	29	psi
CURRENT DRAW		80	Amps	80	Amps
AIR FLOW		176	L/min	6.2	CFM

**NOTE:** The specifications above were recorded under laboratory conditions at 22°C [72°F].

EXTERNAL CONNECTIONS SPECS	
AIR INTAKE THREADS (female)	1/4-18 NPSC (parallel pipe thread)
AIR FILTER THREAD (male)	1/4-18 NPT (tapered pipe thread)
MANIFOLD OUTLET THREAD	1/4-18 NPSC (parallel pipe thread)
AIR COUPLING FITTING TYPE (international equivalent standards)	'US Industrial Standard' ISO 6150 B, US.MIL.C 4109, Legris series 23, Rectus series 23/24/1400, Tema series 1400, DYNAQUIP D3, CEJN 310, Norma / AFNOR: NF.E49.053, Parker series 30-1/4" and 20-1/4", Aignep 220, Hansen series 3000, Norgren series 237, Gromelle series 600