

RD02

Toyota 8.9",45mm BRNG**

****THIS MODEL WAS SUPERSEDED BY RD142, CROSSED OUT PARTS NOT AVAILABLE**

PARTS LIST

| ITEM # | QTY | DESCRIPTION | PART # | NOTES |
|--------|-----|------------------------------------|--------------|-------|
| 01 | 1 | FLANGE CAP | 021702 | |
| 02 | 1 | CLUTCH GEAR | 050202 | |
| 03 | 1 | DIFFERENTIAL CASE | 010204 | |
| 04 | 1 | RETURN SPRINGS (PK OF 4) | 150101SP | |
| 05 | 1 | RETAINING PIN SET (PK OF 4) | 120303SP | |
| 06 | 1 | LONG CROSS SHAFT | 060205 | |
| 07 | 2 | SHORT CROSS SHAFT | 060402 | |
| 08 | 1 | PISTON | 040202SP | |
| 09 | 1 | ANNULAR SEAL | 160905SP | |
| 10 | 1 | CYLINDER CAP ASSEMBLY | 030208 | |
| 11 | 1 | CYL CAP RETAINING BOLT (PK OF 8) | 200205SP | |
| 12 | 1 | LOCKING TAB (8mm) (PK OF 8) | 150401SP | |
| 13 | 1 | TAPERED ROLLER BEARING | NOT SUPPLIED | |
| 14 | 1 | SEAL HOUSING RETAINING CLIP | 150601SP | |
| 15 | 1 | SPLINED SIDE GEAR | SEE NOTE | 2 |
| 16 | 1 | PINION THRUST WASHER (PK OF 4) | 151102SP | |
| 17 | 4 | PINION GEAR | SEE NOTE | 2 |
| 18 | 1 | SPIDER BLOCK | 070201SP | |
| 19 | 1 | SIDE GEAR | SEE NOTE | 2 |
| 20 | 1 | S GEAR THRUST WASHER (PK OF 2) | 151002SP | |
| 21 | 1 | ADJUSTER NUT | 100101SP | |
| 22 | 1 | SEAL HOUSING KIT | 081902SP | |
| 23 | 1 | SEAL HOUSING O-RINGS (PK OF 2) | 160235-2 | 1 |
| * | 1 | BULKHEAD FITTING KIT (O-RING TYPE) | 170111 | |
| * | 1 | PUSH-IN FITTING (5mm to 1/8"BSPP) | 170201SP | |
| * | 1 | AIR LINE (5mm DIA X 6m LONG) | 170301SP | |
| * | 1 | SOLENOID VALVE (12V) | 180103 | |
| * | 1 | SWITCH FR OR RR LOCKER | 180225 | |
| * | 1 | CABLE TIE (PK OF 25) | 180305 | |
| * | 1 | OPERATING & SERVICE MANUAL | 210200 | |
| * | 1 | INSTALLATION GUIDE | 210202 | |

* *Not illustrated in exploded view*

NOTES

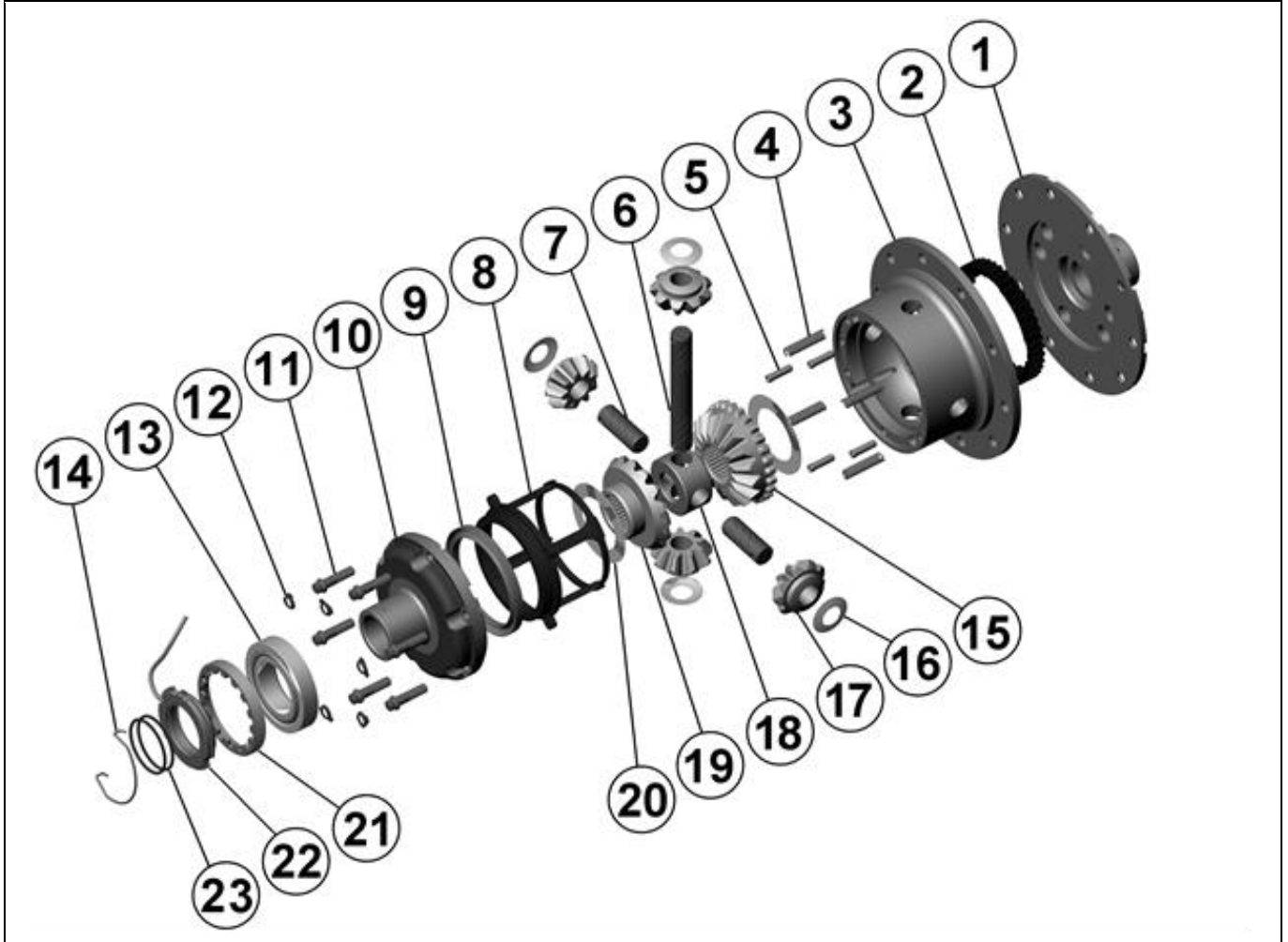
- 1 For replacement O-rings use only BS133 Viton 75.
- 2 Available only as complete 6 gear set # 728A011
- For older style 8.9" with 50mm carrier bearing ID refer to RD33 (Section 2.33).
- For older style 8.9" C-clip model refer to RD124 (Section 2.124).
- For seal housing set-up refer to tech note (Section 5.1 & 5.2).
- For information on RD02 models with 4 cylinder cap bolts, contact ARB.

RD02

Toyota 8.9",45mm BRNG**

****THIS MODEL WAS SUPERSEDED BY RD142, CROSSED OUT PARTS NOT AVAILABLE**

EXPLODED DIAGRAM



SPECIFICATIONS

| | |
|--------------------|----------------------------|
| Axle Spline | 30 tooth, Ø33mm [1.31"] |
| Ratio Supported | All |
| Ring Gear ID | 138.1mm [5.44"] |
| Ring Gear OD | 225mm [8.9"] |
| Ring Gear Bolts | 12 bolts on Ø156mm [6.14"] |
| Ring Gear Torque | 120Nm [89 ft-lb] |
| Backlash | 0.15-0.20mm [0.006-0.08"] |
| Bearing Cap Torque | 110Nm [81 ft-lb] |