

RD27

Nissan C200,29 SPL**

****THIS MODEL WAS SUPERSEDED BY RD202, CROSSED OUT PARTS NOT AVAILABLE**

PARTS LIST

ITEM #	QTY	DESCRIPTION	PART #	NOTES
01	1	FLANGE CAP	020403	
02	1	CLUTCH GEAR	050402	
03	1	DIFFERENTIAL CASE	040405	
04	1	RETURN SPRINGS (PK OF 4)	150101SP	
05	1	RETAINING PIN SET (PK OF 2)	120102SP	
*	1	RETAINING PIN SET (PK OF 2)	120302SP	
06	1	LONG CROSS SHAFT	060403	
07	2	SHORT CROSS SHAFT	060303	
08	1	PISTON	040103SP	
09	1	BONDED SEAL	160701SP	
10	1	CYLINDER CAP	030423	
11	1	SEAL HOUSING O-RINGS (PK OF 2)	160208-2	1
12	1	CYL CAP RETAINING BOLT (PK OF 8)	200205SP	
13	1	LOCKING TAB (8mm) (PK OF 8)	150401SP	
14	-	TAPERED ROLLER BEARING	NOT SUPPLIED	
15	1	SEAL HOUSING KIT	080801SP	
16	1	SHIM KIT	SHK004	
17	1	SPLINED SIDE GEAR	SEE NOTE	2
18	1	PINION THRUST WASHER (PK OF 4)	151101SP	
19	4	PINION GEAR	SEE NOTE	2
20	1	SPIDER BLOCK	070404	
21	1	THRUST BLOCK	110203SP	
22	1	SIDE GEAR	SEE NOTE	2
23	1	S GEAR THRUST WASHER (PK OF 2)	151003SP	
*	1	BULKHEAD FITTING KIT	170102	
*	1	PUSH-IN FITTING (5mm to 1/8"BSPP)	170201SP	
*	1	AIR LINE (5mm DIA X 6m LONG)	170301SP	
*	1	SOLENOID VALVE (12V)	180103	
*	1	SWITCH FR OR RR LOCKER	180225	
*	1	CABLE TIE (PK OF 25)	180305	
*	1	OPERATING & SERVICE MANUAL	210200	
*	1	INSTALLATION GUIDE	210227	

* *Not illustrated in exploded view*

NOTES

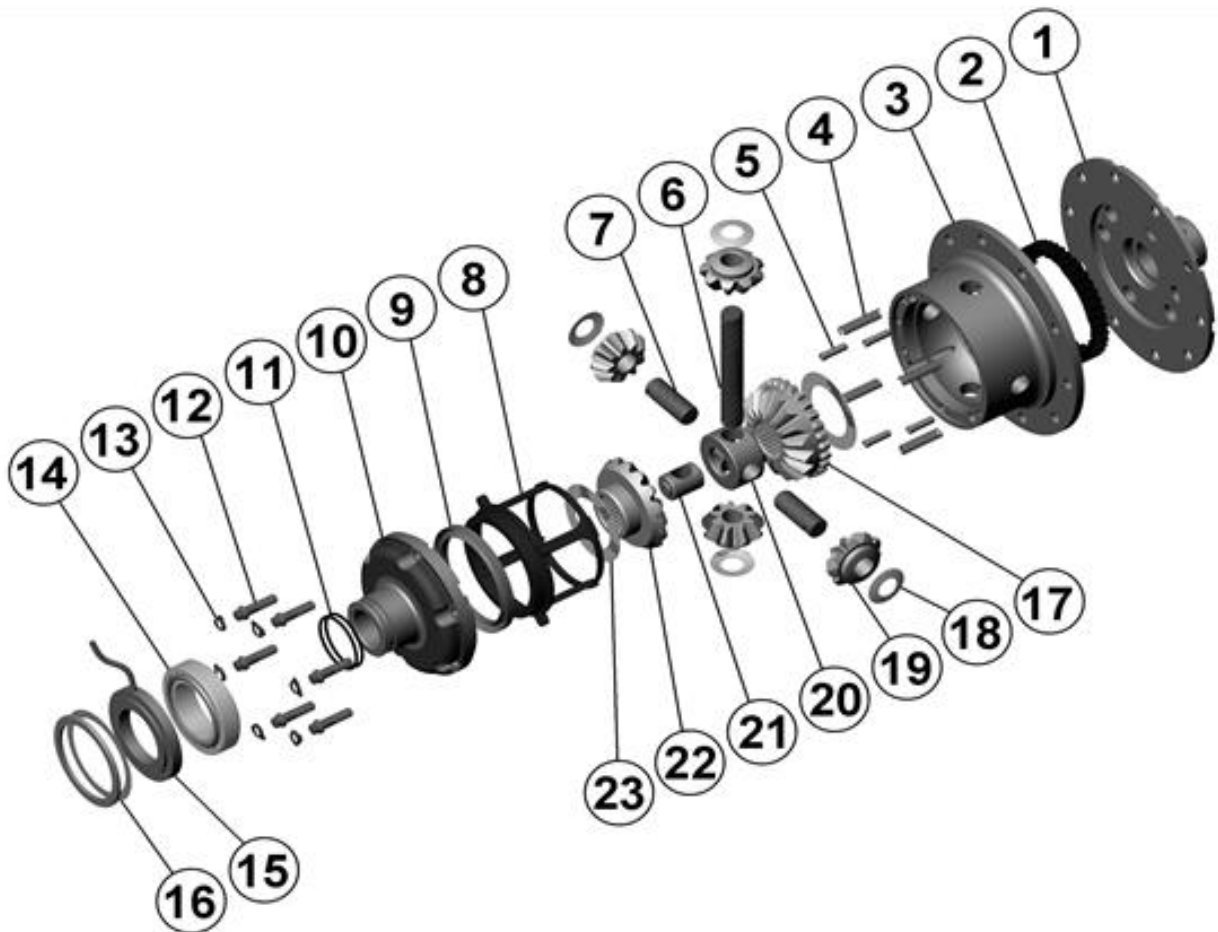
- 1 For replacement O-rings use only BS030 Viton 75.
- 2 Available only as complete 6 gear set # 728B074
- For information on RD27 models with metal pistons, contact ARB.
- When used with 10mm ring gear bolts, adapter sleeves of the following size are required:
 Outside: Ø12.25mm [0.482"]
 Inside: Ø10.45mm [0.411"]
 Length: 10mm [0.39"]
 Bolt Torque: 74Nm [55 ft-lb]
- Some C200's did not have thrust blocks between the axles and therefore the Air Locker thrust block must be removed.
- Refer to axle modification tech note ([Section 5.4](#)) if axle binds inside carrier.

RD27

Nissan C200,29 SPL**

****THIS MODEL WAS SUPERSEDED BY RD202, CROSSED OUT PARTS NOT AVAILABLE**

EXPLODED DIAGRAM



SPECIFICATIONS

Axle Spline	29 tooth, Ø30.4mm [1.20"]
Ratio Supported	All
Ring Gear ID	128.0mm [5.04"]
Ring Gear Bolts	10 bolts on Ø150mm [5.91"]
Ring Gear Bolt Size	12mm
Ring Gear Torque	120Nm [89 ft-lb]
Backlash	0.13-0.18mm [0.005-0.007"]
Bearing Cap Torque	93Nm [69 ft-lb]