

**RD91**

Dana 80,37 SPL

**\*\*THIS MODEL WAS SUPERSEDED BY RD175, CROSSED OUT PARTS NOT AVAILABLE**

### PARTS LIST

| ITEM # | QTY | DESCRIPTION                        | PART #   | NOTES |
|--------|-----|------------------------------------|----------|-------|
| 01     | 1   | FLANGE CAP                         | 022602   |       |
| 02     | 1   | CLUTCH GEAR                        | 050401   |       |
| 03     | 1   | DIFFERENTIAL CASE                  | 012403   |       |
| 04     | 1   | RETURN SPRING (PK OF 4)            | 150101SP |       |
| 05     | 1   | RETAINING PIN SET (PK OF 4)        | 120301SP |       |
| 06     | 1   | LONG CROSS SHAFT                   | 060703   |       |
| 07     | 2   | SHORT CROSS SHAFT                  | 060802   |       |
| 08     | 1   | PISTON                             | 040501SP |       |
| 09     | 1   | BONDED SEAL                        | 160703SP |       |
| 10     | 1   | CYLINDER CAP                       | 031203   |       |
| 11     | 1   | SEAL HOUSING O-RINGS (PK OF 2)     | 160220-2 | 1     |
| 12     | 1   | CYL CAP RETAINING BOLT (PK OF 8)   | 200205SP |       |
| 13     | 1   | LOCKING TAB (8mm) (PK OF 8)        | 150401SP |       |
| 14     | 1   | TAPERED ROLLER BEARING             | 160113   | 2     |
| 15     | 1   | SEAL HOUSING KIT                   | 080704SP |       |
| 16     | 1   | SHIM KIT                           | SHK006   |       |
| *      | 1   | MASTER SHIM                        | 150336   |       |
| 17     | 1   | SPLINED SIDE GEAR                  | SEE NOTE | 3     |
| 18     | 1   | PINION THRUST WASHER (PK OF 4)     | 151104SP |       |
| 19     | 4   | PINION GEAR                        | SEE NOTE | 3     |
| 20     | 1   | SPIDER BLOCK                       | 070401   |       |
| 21     | 1   | SIDE GEAR                          | SEE NOTE | 3     |
| 22     | 1   | S GEAR THRUST WASHER (PK OF 2)     | 151004SP |       |
| *      | 1   | BULKHEAD FITTING KIT (O-RING TYPE) | 170111   |       |
| *      | 1   | PUSH-IN FITTING (5mm to 1/8"BSPP)  | 170201SP |       |
| *      | 1   | AIR LINE (5mm DIA X 6m LONG)       | 170301SP |       |
| *      | 1   | SOLENOID VALVE (12V)               | 180103   |       |
| *      | 1   | SWITCH RR LOCKER                   | 180224   |       |
| *      | 1   | CABLE TIE (PK OF 25)               | 180305   |       |
| *      | 1   | OPERATING & SERVICE MANUAL         | 210200   |       |
| *      | 1   | INSTALLATION GUIDE                 | 210291   |       |

\* *Not illustrated in exploded view*

### NOTES

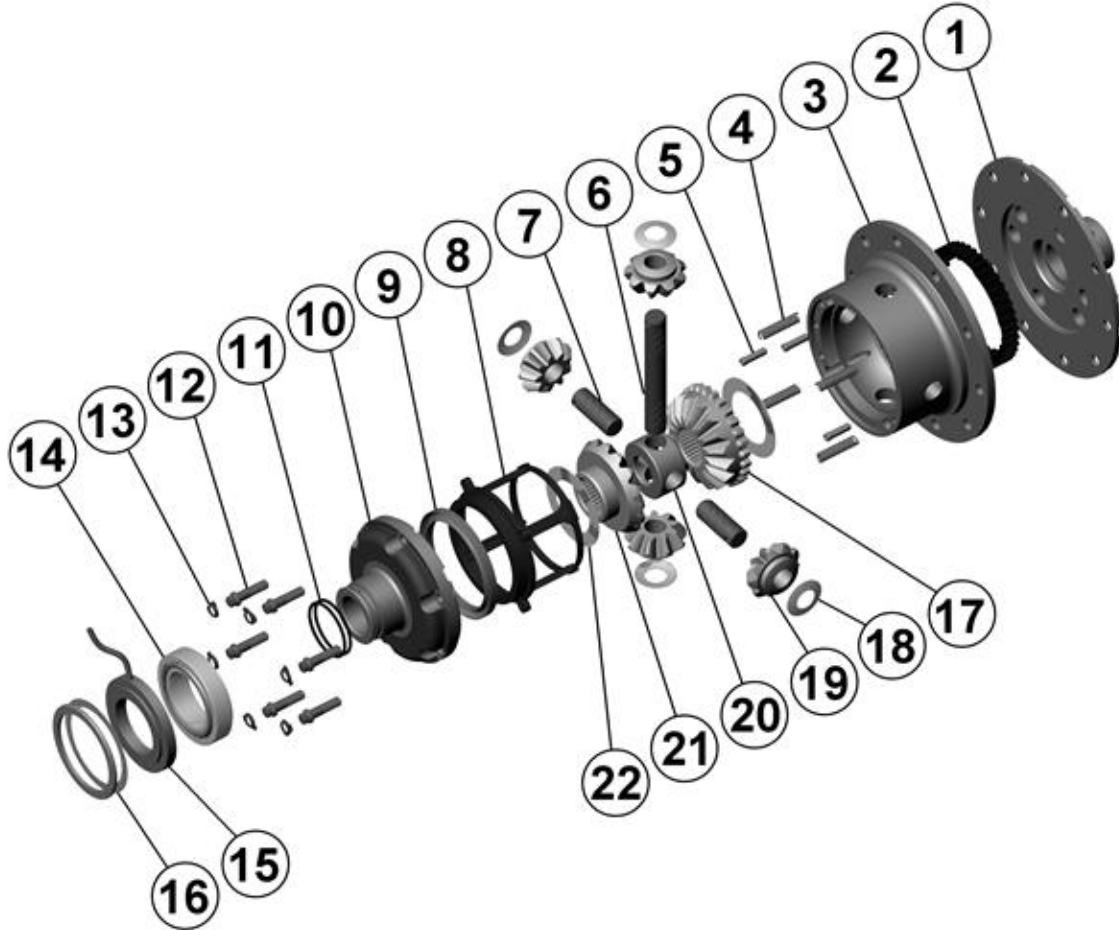
- 1 For replacement O-rings use only BS141 Viton 75.
- 2 For replacement bearing use Timken part # 39250 / 39412.
- 3 Available only as complete 6 gear set # 728E051
- The ratio split for the carrier break varies by application. RD91 suits the numerically higher range (i.e., ????:1 & up) for each application.
- For the 35 spline Dana 80 refer to RD80 ([Section 2.80](#)).

**RD91**

Dana 80,37 SPL

**\*\*THIS MODEL WAS SUPERSEDED BY RD175, CROSSED OUT PARTS NOT AVAILABLE**

### EXPLODED DIAGRAM



### SPECIFICATIONS

|                    |                            |
|--------------------|----------------------------|
| Axle Spline        | 37 tooth, Ø40.6mm [1.60"]  |
| Ratio Supported    | Varies by mfg. (see note)  |
| Ring Gear ID       | 174.9mm [6.89"]            |
| Ring Gear OD       | 292mm [11.5"]              |
| Ring Gear Bolts    | 12 bolts on Ø203mm [8.00"] |
| Ring Gear Torque   | 237Nm [175 ft-lb]          |
| Backlash           | 0.15-0.25mm [0.006-0.010"] |
| Bearing Cap Torque | 108Nm [80 ft-lb]           |