

RD112

Chrysler 8.25",27 SPL

****THIS MODEL IS NO LONGER IN PRODUCTION, CROSSED OUT PARTS UNAVAILABLE**

PARTS LIST

ITEM #	QTY	DESCRIPTION	PART #	NOTES
1	1	SEAL HOUSING KIT	081501SP	
2	1	CLUTCH GEAR	050801	
3	3	PINION THRUST WASHER	SEE NOTE	4
4	3	PINION GEAR	SEE NOTE	3
5	1	LONG CROSS SHAFT	060204SP	
6	1	SHORT CROSS SHAFT	060403SP	
7	1	DIFFERENTIAL CASE	013002SP	
8	1	COUNTERSUNK SCREW (PK OF 2)	200213SP	
9	1	RETAINING PIN SET (PK OF 4)	120601SP	
10	1	TAPERED ROLLER BEARING	160109	2
11	1	SEAL HOUSING O-RING (PK OF 2)	160227-2	1
12	1	FLANGE CAP KIT	028402SP	
13	1	BONDED SEAL	160702SP	
14	1	RETURN SPRINGS (PK OF 12)	150107SP	
15	1	SPLINED SIDE GEAR	SEE NOTE	3
16	1	SPIDER BLOCK	070902SP	
17	1	SIDE GEAR	SEE NOTE	3
18	2	SIDE GEAR THRUST WASHER	SEE NOTE	4
19	1	TAPERED ROLLER BEARING	NOT SUPPLIED	
*	1	C-CLIP KIT	CCK005	
*	1	AIR LINE (6mm DIA X 6m LONG)	170314	5
*	1	BULKHEAD FITTING KIT (BANJO TYPE)	170114	5
*	1	SOLENOID VALVE (12V)	180103	
*	1	CABLE TIE (PK OF 25)	180305	
*	1	SWITCH RR LOCKER	180224	
*	1	OPERATING & SERVICE MANUAL	210200	
*	1	INSTALLATION GUIDE	2102112	

* *Not illustrated in exploded view*

NOTES

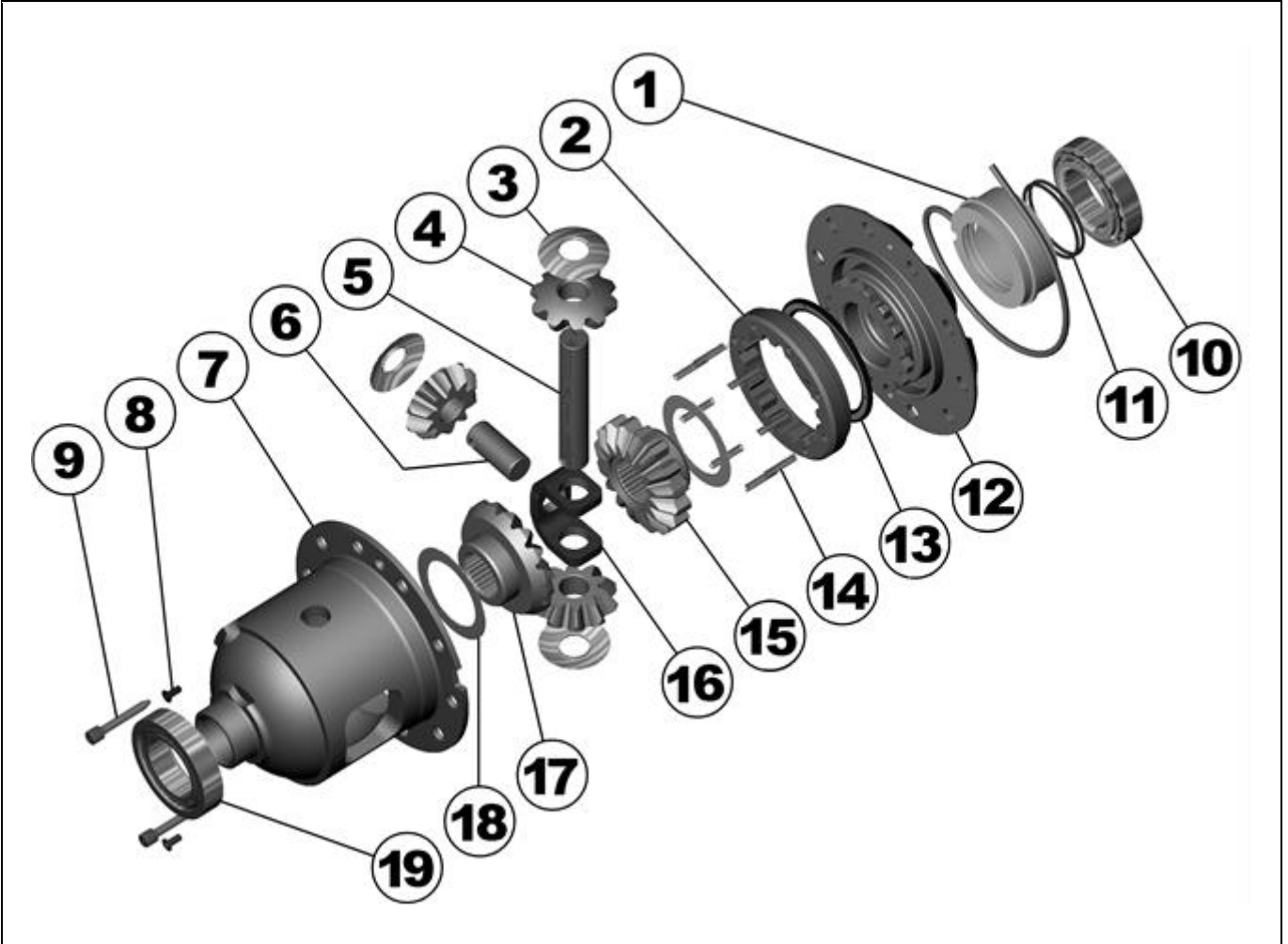
- 1 For replacement O-rings use only BS138 Viton 75.
- 2 For replacement bearing use Timken part # LM102949 / LM102910.
- 3 Available only as complete 5 gear set #728H061C
- 4 Available only as complete thrust washer kit #730H01
- 5 All diffs produced before serial #17070001 came with 5mm air connection system. For information contact ARB.
- RD112 suits C-clip & non C-clip applications.
- Suitable for use with ABS tone ring.
- Ring gear bolts are 3/8" - 20 left-hand thread, and must be removed in a clockwise direction.
- Seal housing comes pre-installed.
- To service O-rings or bearing remove the seal housing assembly with a bearing puller.
- May not suit some axle splines with 45° PA.

RD112

Chrysler 8.25",27 SPL

****THIS MODEL IS NO LONGER IN PRODUCTION, CROSSED OUT PARTS UNAVAILABLE**

EXPLODED DIAGRAM



SPECIFICATIONS

Axle Spline	27 tooth, Ø29.5mm [1.16"]
Ratio Supported	All
Ring Gear ID	130.5mm [5.14"]
Ring Gear OD	210mm [8.25"]
Ring Gear Bolts	10 bolts on Ø153 mm [6.00"]
Ring Gear Torque	76Nm [55 ft-lb]
Backlash	0.15-0.25mm [0.006-0.010"]
Bearing Cap Torque	81Nm [60 ft-lb]

ARB Corporation Ltd • 42-44 Garden St Kilsyth VIC 3137 Australia
ARB 4X4 Accessories USA • 4810 D St. NW #103 Auburn WA 98001 USA
Australia & International Customer Service • +61 3 9761 6622
North America Customer Service • Toll Free 866 293 9078
www.arb.com.au (AUS & Int) www.arbusa.com (N. America)