

RD12

GM 12 Bolt, 8.9", 30 SPL, 3.73 & UP

****THIS MODEL WAS SUPERSEDED BY RD216, CROSSED OUT PARTS NOT AVAILABLE**

PARTS LIST

| ITEM # | QTY | DESCRIPTION | PART # | NOTES |
|--------|-----|------------------------------------|----------|-------|
| 01 | 1 | FLANGE CAP | 020804 | |
| 02 | 1 | CLUTCH GEAR | 050202 | |
| 03 | 1 | DIFFERENTIAL CASE | 041007 | |
| 04 | 1 | RETURN SPRINGS (PK OF 4) | 150101SP | |
| 05 | 1 | RETAINING PIN SET (PK OF 4) | 120303SP | |
| 06 | 1 | LONG CROSS SHAFT | 060205 | |
| 07 | 1 | SHORT CROSS SHAFT | 060402 | |
| 08 | 1 | PISTON | 040202SP | |
| 09 | 1 | ANNULAR SEAL | 160905SP | |
| 10 | 1 | CYLINDER CAP | 030213 | |
| 11 | 1 | SEAL HOUSING O-RINGS (PK OF 2) | 160205-2 | 1 |
| 12 | 1 | CYL CAP RETAINING BOLT (PK OF 8) | 200205SP | |
| 13 | 1 | LOCKING TAB (8mm) (PK OF 8) | 150401SP | |
| 14 | 1 | TAPERED ROLLER BEARING | 160104 | 2 |
| 15 | 1 | SHIM KIT | SHK008 | |
| * | 1 | MASTER SHIM | 150320 | |
| 16 | 1 | SEAL HOUSING KIT | 080501SP | |
| 17 | 1 | SPLINED SIDE GEAR | SEE NOTE | 3 |
| 18 | 1 | SPIDER BLOCK | 070902SP | |
| 19 | 3 | PINION GEAR | SEE NOTE | 3 |
| 20 | 1 | PINION THRUST WASHER (PK OF 4) | 151102SP | |
| 21 | 1 | SIDE GEAR | SEE NOTE | 3 |
| 22 | 1 | S GEAR THRUST WASHER (PK OF 2) | 151002SP | |
| * | 1 | 'C' CLIP KIT | CCK004 | |
| * | 1 | CYL CAP RETAINING BOLT (PK OF 8) | 200207SP | |
| * | 1 | LOCKING TAB (6mm) (PK OF 2) | 150402 | |
| * | 1 | BULKHEAD FITTING KIT (O-RING TYPE) | 170111 | |
| * | 1 | PUSH-IN FITTING (5mm to 1/8" BSPP) | 170201SP | |
| * | 1 | AIR LINE (5mm DIA X 6m LONG) | 170301SP | |
| * | 1 | SOLENOID VALVE (12V) | 180103 | |
| * | 1 | SWITCH RR LOCKER | 180224 | |
| * | 1 | CABLE TIE (PK OF 25) | 180305 | |
| * | 1 | OPERATING & SERVICE MANUAL | 210212 | |
| * | 1 | INSTALLATION GUIDE | 210200 | |

* *Not illustrated in exploded view*

NOTES

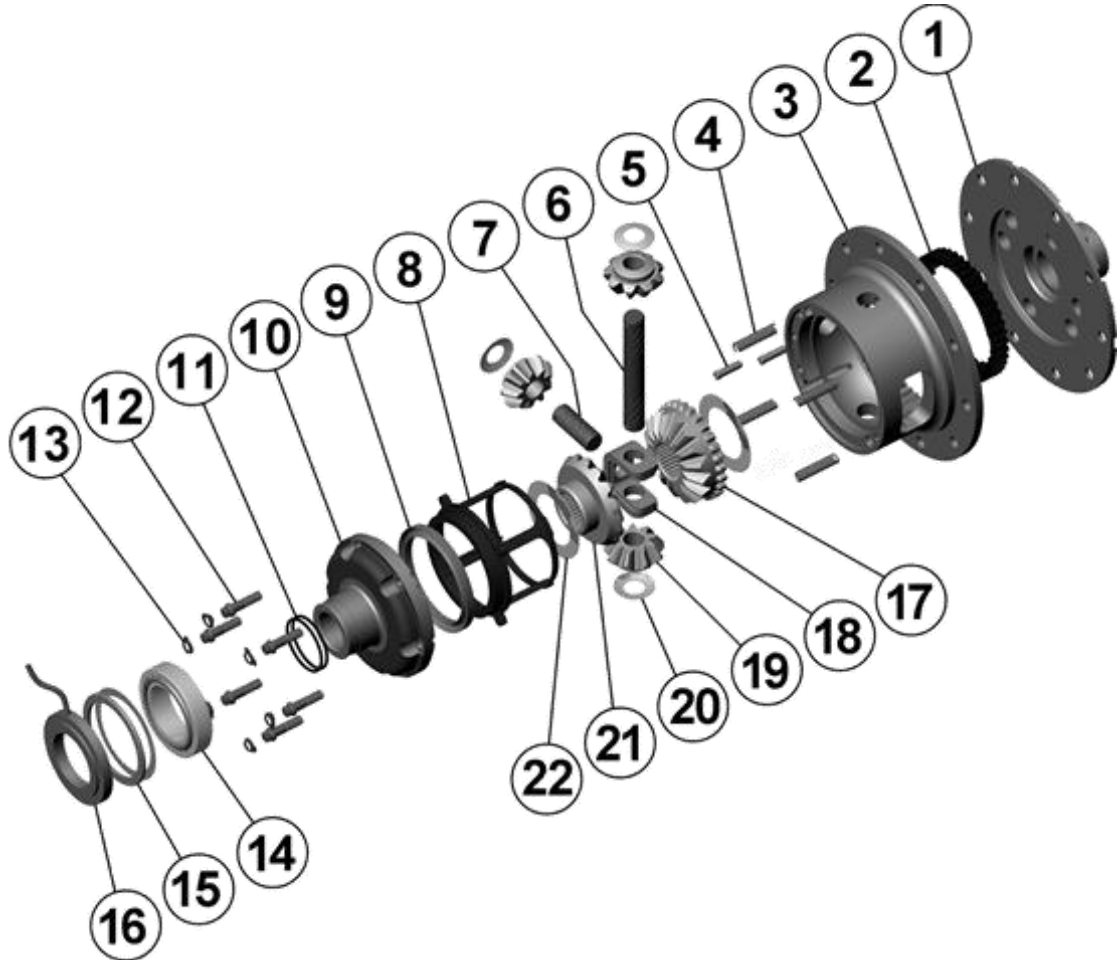
- 1 For replacement O-rings use only BS132 Viton 75
- 2 For replacement bearing use Timken part #LM603049 / LM603011.
- 3 Available only as complete 5 gear set #728A044C
- For information on RD12 models with metal pistons, contact ARB.
- Ring gear bolts are 3/8" - 24 left-hand thread, and must be removed in a clockwise direction

RD12

GM 12 Bolt, 8.9", 30 SPL, 3.73 & UP

****THIS MODEL WAS SUPERSEDED BY RD216, CROSSED OUT PARTS NOT AVAILABLE**

EXPLODED DIAGRAM



SPECIFICATIONS

| | |
|--------------------|----------------------------|
| Axle Spline | 30 tooth, Ø33.3mm [1.31"] |
| Ratio Supported | 3.73:1 & up |
| Ring Gear ID | 138.1mm [5.44"] |
| Ring Gear OD | 225mm [8.9"] |
| Ring Gear Bolts | 12 bolts on Ø165mm [6.50"] |
| Ring Gear Torque | 75Nm [55 ft-lb] |
| Backlash | 0.15-0.25mm [0.006-0.010"] |
| Bearing Cap Torque | 81Nm [60 ft-lb] |

ARB Corporation Ltd • 42-44 Garden St Kilsyth VIC 3137 Australia
ARB 4X4 Accessories USA • 4810 D St. NW #103 Auburn WA 98001 USA
Australia & International Customer Service • +61 3 9761 6622
North America Customer Service • Toll Free 866 293 9078
www.arb.com.au (AUS & Int) www.arbusa.com (N. America)