

### RD143

### Dana 44,32 SPL,3.73 & DN

#### PARTS LIST

ITEM #	QTY	DESCRIPTION	PART #	NOTES
1	1	SEAL HOUSING O-RINGS (PK OF 2)	160207-2	1
2	1	SEAL HOUSING KIT	081803SP	
3	2	SHIM KIT	SHK009	
*	2	MASTER SHIM	150352	
4	1	BONDED SEAL	160703SP	
5	1	CLUTCH GEAR & WAVESPRING KIT	050904SP	
6	1	THRUST BLOCK	110509SP	
7	1	SPIDER BLOCK	070201SP	
8	1	SIDE GEAR	SEE NOTE	3
9	1	COUNTERSUNK SCREW (PK OF 2)	200213SP	
10	1	RETAINING PIN SET (PK OF 4)	120601SP	
11	2	TAPERED ROLLER BEARING	160101	2
12	1	FLANGE CAP KIT	027305SP	
13	1	WAVESPRING	150704SP	
14	1	SPLINED SIDE GEAR	SEE NOTE	3
15	4	SHORT CROSS SHAFT	060403SP	
16	4	PINION GEAR	SEE NOTE	3
17	4	PINION THRUST WASHER	SEE NOTE	4
18	2	SIDE GEAR THRUST WASHER	SEE NOTE	4
19	1	DIFFERENTIAL CASE	013005SP	
*	1	BULKHEAD FITTING KIT (BANJO TYPE)	170114	5
*	1	AIR LINE (6mm DIA X 6m LONG)	170314	5
*	1	SOLENOID VALVE (12V)	180103	
*	1	SWITCH FR OR RR LOCKER	180225	
*	1	CABLE TIE (PK OF 25)	180305	
*	1	OPERATING & SERVICE MANUAL	210200	
*	1	INSTALLATION GUIDE	2102143	

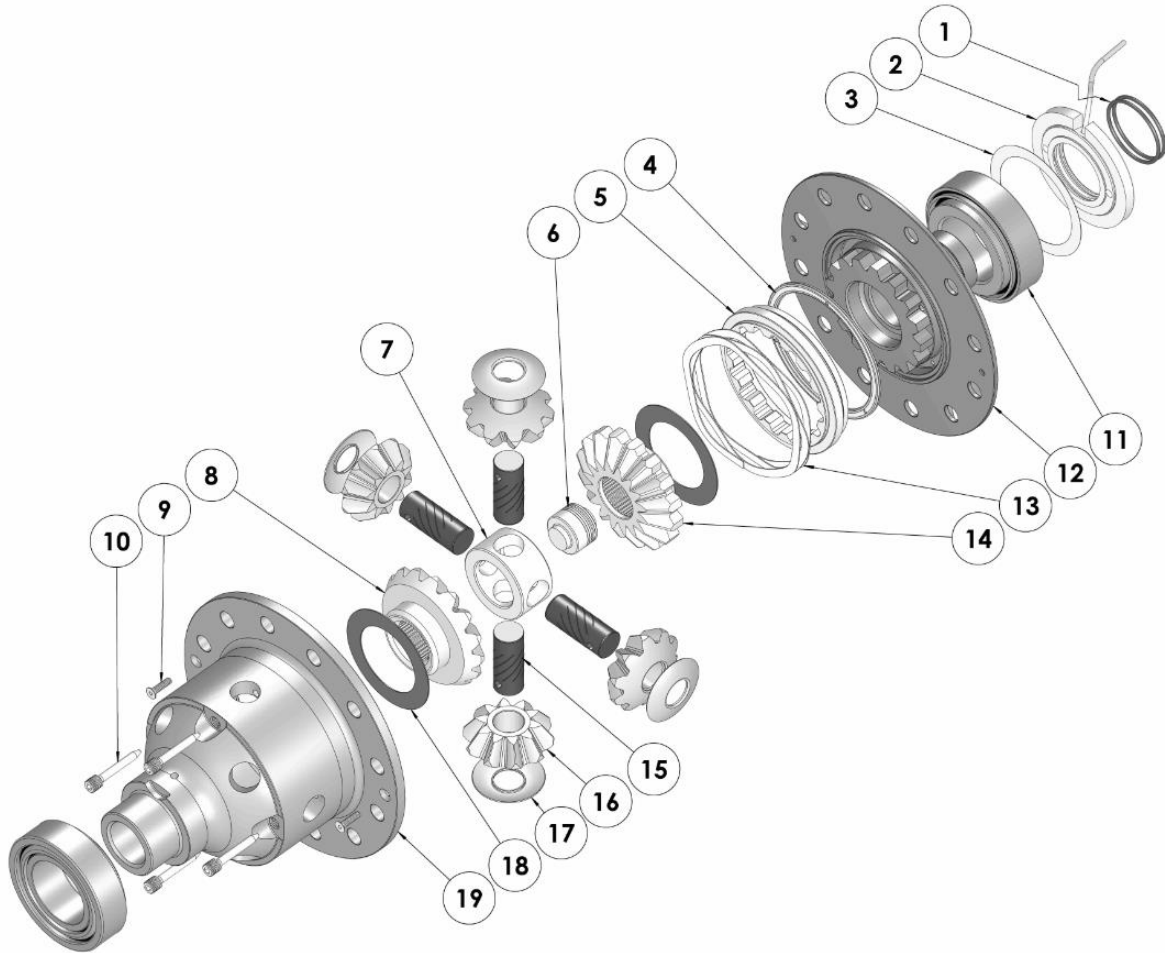
\* *Not illustrated in exploded view*

#### NOTES

- 1 For replacement O-rings use only BS136 Viton 75.
- 2 For replacement bearing use Timken part # LM104949 / LM104912.
- 3 Available only as complete 6 gear set # 728H171
- 4 Available only as complete thrust washer kit #730H01
- 5 All diffs produced before serial #17070001 came with 5mm air connection system. For information contact ARB.
- Some Dana 44 ring gear bolts are left hand thread, and must be removed in a clockwise direction.
- Suitable for use with ABS tone ring.
- Newer OEM Dana 44 ring and pinion sets may use 3/8", 7/16" or 1/2" bolts. The flange holes of the Air Locker may need to be drilled or reamed from Ø3/8" to Ø7/16" or Ø1/2" to suit.

**RD143**

Dana 44,32 SPL,3.73 &amp; DN

**EXPLODED DIAGRAM****SPECIFICATIONS**

Axle Spline	32 tooth, Ø35.8mm [1.41"]
Ratio Supported	3.73:1 & down
Ring Gear ID	141.3mm [5.56"]
Ring Gear OD	216mm [8.5"]
Ring Gear Bolts	10 Bolts on Ø168mm [6.61"]
Ring Gear Torque	3/8" Bolts 75Nm [55 ft-lb] 7/16" Bolts 136Nm [100 ft-lb] 1/2" Bolts 179Nm [130 ft-lb]
Backlash	0.15-0.25mm [0.006-0.010"]
Bearing Cap Torque	81Nm [60 ft-lb]

ARB Corporation Ltd • 42-44 Garden St Kilsyth VIC 3137 Australia  
ARB 4X4 Accessories USA • 4810 D St. NW #103 Auburn WA 98001 USA  
Australia & International Customer Service • +61 3 9761 6622  
North America Customer Service • Toll Free 866 293 9078  
www.arb.com.au (AUS & Int) www.arbusa.com (N. America)