

RD22

Dana 60,30 SPL,4.10 & DN

****THIS MODEL WAS SUPERSEDED BY RD163, CROSSED OUT PARTS NOT AVAILABLE**

PARTS LIST

| ITEM # | QTY | DESCRIPTION | PART # | NOTES |
|--------|-----|------------------------------------|----------|-------|
| 01 | 1 | FLANGE CAP | 021101 | |
| 02 | 1 | CLUTCH GEAR | 050202 | |
| 03 | 1 | DIFFERENTIAL CASE | 011203 | |
| 04 | 1 | RETURN SPRINGS (PK OF 4) | 150101SP | |
| 05 | 1 | RETAINING PIN SET (PK OF 4) | 120303SP | |
| 06 | 1 | LONG CROSS SHAFT | 060205 | |
| 07 | 2 | SHORT CROSS SHAFT | 060402 | |
| 08 | 1 | PISTON | 040202SP | |
| 09 | 1 | ANNULAR SEAL | 160905SP | |
| 10 | 1 | CYLINDER CAP | 030503 | |
| 11 | 1 | SEAL HOUSING O-RINGS (PK OF 2) | 160207-2 | 1 |
| 12 | 1 | CYL CAP RETAINING BOLT (PK OF 8) | 200205SP | |
| 13 | 1 | LOCKING TAB (8mm) (PK OF 8) | 150401SP | |
| 14 | 1 | TAPERED ROLLER BEARING | 160107 | 2 |
| 15 | 1 | SEAL HOUSING KIT | 080701SP | |
| 16 | 1 | SHIM KIT | SHK001 | |
| * | 1 | MASTER SHIM | 150330 | |
| 17 | 1 | SPLINED SIDE GEAR | SEE NOTE | 3 |
| 18 | 1 | PINION THRUST WASHER (PK OF 4) | 151102SP | |
| 19 | 4 | PINION GEAR | SEE NOTE | 3 |
| 20 | 1 | SPIDER BLOCK | 070201SP | |
| 21 | 1 | SIDE GEAR | SEE NOTE | 3 |
| 22 | 1 | S GEAR THRUST WASHER (PK OF 2) | 151006SP | |
| * | 1 | BULKHEAD FITTING KIT (O-RING TYPE) | 170111 | |
| * | 1 | PUSH-IN FITTING (5mm to 1/8"BSPP) | 170201SP | |
| * | 1 | AIR LINE (5mm DIA X 6m LONG) | 170301SP | |
| * | 1 | SOLENOID VALVE (12V) | 180103 | |
| * | 1 | SWITCH RR LOCKER | 180224 | |
| * | 1 | CABLE TIE (PK OF 25) | 180305 | |
| * | 1 | OPERATING & SERVICE MANUAL | 210200 | |
| * | 1 | INSTALLATION GUIDE | 210222 | |

* *Not illustrated in exploded view*

NOTES

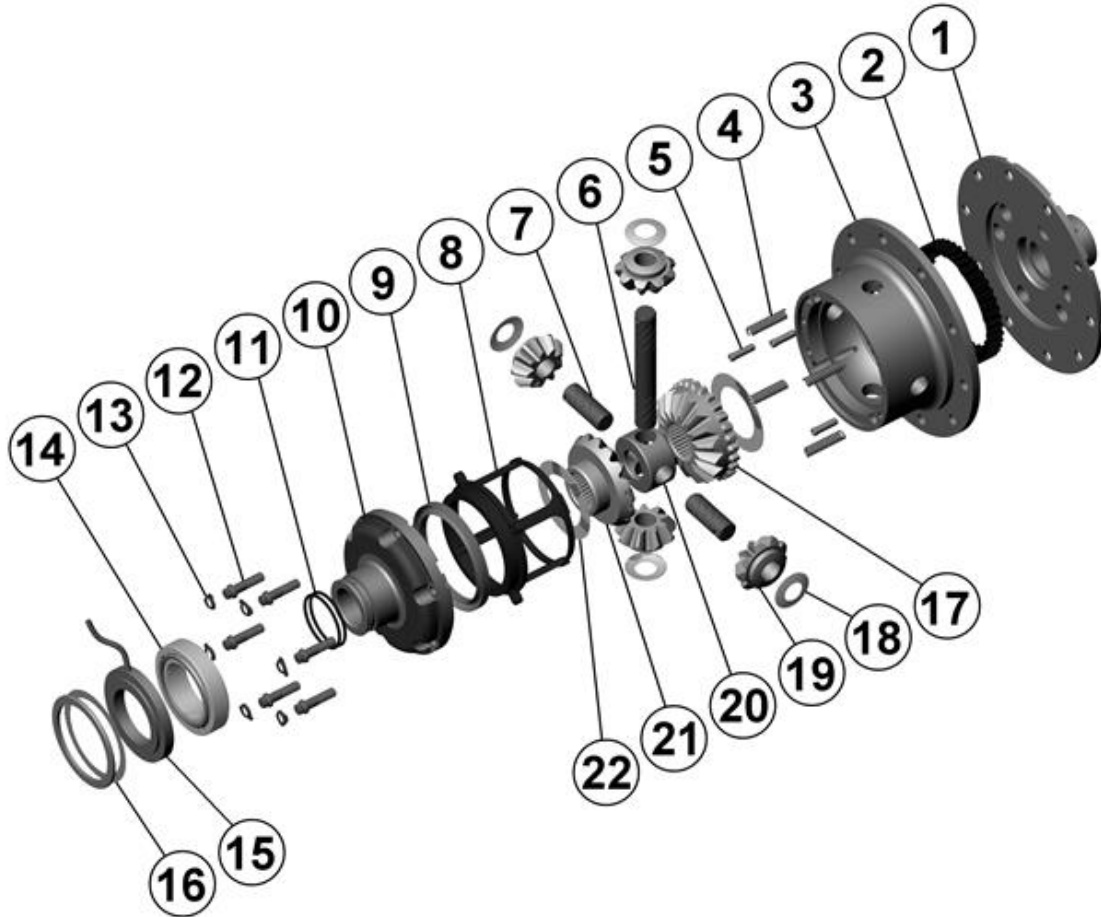
- 1 For replacement O-rings use only BS136 Viton 75.
- 2 For replacement bearing use Timken part # 387A-382A.
- 3 Available only as complete 6 gear set # 728A041
- For ratios of 4.56:1 and up refer to RD21 ([Section 2.21](#)).
- For information on RD22 models with metal pistons, contact ARB.

RD22

Dana 60,30 SPL,4.10 & DN

****THIS MODEL WAS SUPERSEDED BY RD163, CROSSED OUT PARTS NOT AVAILABLE**

EXPLODED DIAGRAM



SPECIFICATIONS

| | |
|--------------------|----------------------------|
| Axle Spline | 30 tooth, Ø33.3mm [1.31"] |
| Ratio Supported | 4.10:1 & down |
| Ring Gear ID | 162.0mm [6.38"] |
| Ring Gear OD | 248mm [9.75"] |
| Ring Gear Bolts | 12 bolts on Ø191mm [7.50"] |
| Ring Gear Torque | 149Nm [110 ft-lb] |
| Backlash | 0.15-0.25mm [0.006-0.010"] |
| Bearing Cap Torque | 108Nm [80 ft-lb] |

ARB Corporation Ltd • 42-44 Garden St Kilsyth VIC 3137 Australia
ARB 4X4 Accessories USA • 4810 D St. NW #103 Auburn WA 98001 USA
Australia & International Customer Service • +61 3 9761 6622
North America Customer Service • Toll Free 866 293 9078
www.arb.com.au (AUS & Int) www.arbusa.com (N. America)