

**RD231**

Nissan R180A,30 SPL,3.54 & DN

### PARTS LIST

| ITEM # | QTY | DESCRIPTION                    | PART #       | NOTES |
|--------|-----|--------------------------------|--------------|-------|
| 1      | 1   | FLANGE CAP KIT                 | 028517SP     |       |
| 2      | 1   | BONDED SEAL                    | 160701SP     |       |
| 3      | 1   | CLUTCH GEAR & WAVESPRING KIT   | 050903SP     |       |
| 4      | 2   | SHORT CROSS SHAFT              | 061402SP     |       |
| 5      | 1   | LONG CROSS SHAFT               | 061302SP     |       |
| 6      | 1   | SIDE GEAR                      | SEE NOTE     | 2     |
| 7      | 2   | SIDE GEAR THRUST WASHER        | SEE NOTE     | 4     |
| 8      | 1   | COUNTERSUNK SCREW (PK OF 2)    | 200213SP     |       |
| 9      | 1   | RETAINING PIN SET (PK OF 4)    | 120601SP     |       |
| 10     | *   | TAPERED ROLLER BEARING         | NOT SUPPLIED |       |
| 11     | 1   | SEAL HOUSING KIT               | 081819SP     |       |
| 12     | 2   | SEAL HOUSING O-RINGS (PK OF 2) | 160206-2     | 1     |
| 13     | 1   | SHIM KIT                       | SHK008       |       |
| 14     | 1   | WAVESPRING                     | 150702SP     |       |
| 15     | 1   | SPLINED SIDE GEAR              | SEE NOTE     | 2     |
| 16     | 4   | PINION GEAR                    | SEE NOTE     | 2     |
| 17     | 4   | PINION THRUST WASHER           | SEE NOTE     | 4     |
| 18     | 1   | SPIDER BLOCK                   | 070503SP     |       |
| 19     | 1   | DIFFERENTIAL CASE              | 013126SP     |       |
| *      | 1   | BULKHEAD FITTING (BANJO TYPE)  | 170114       | 5     |
| *      | 1   | AIR LINE (6mm DIA X 6m LONG)   | 170314       | 5     |
| *      | 1   | SOLENOID VALVE (12V)           | 180103       |       |
| *      | 1   | SWITCH FR LOCKER               | 180223       |       |
| *      | 1   | CABLE TIE (PK OF 25)           | 180305       |       |
| *      | 1   | OPERATION & SERVICE MANUAL     | 210200       |       |
| *      | 1   | INSTALLATION GUIDE             | 2102231      |       |

\* *Not illustrated in exploded view*

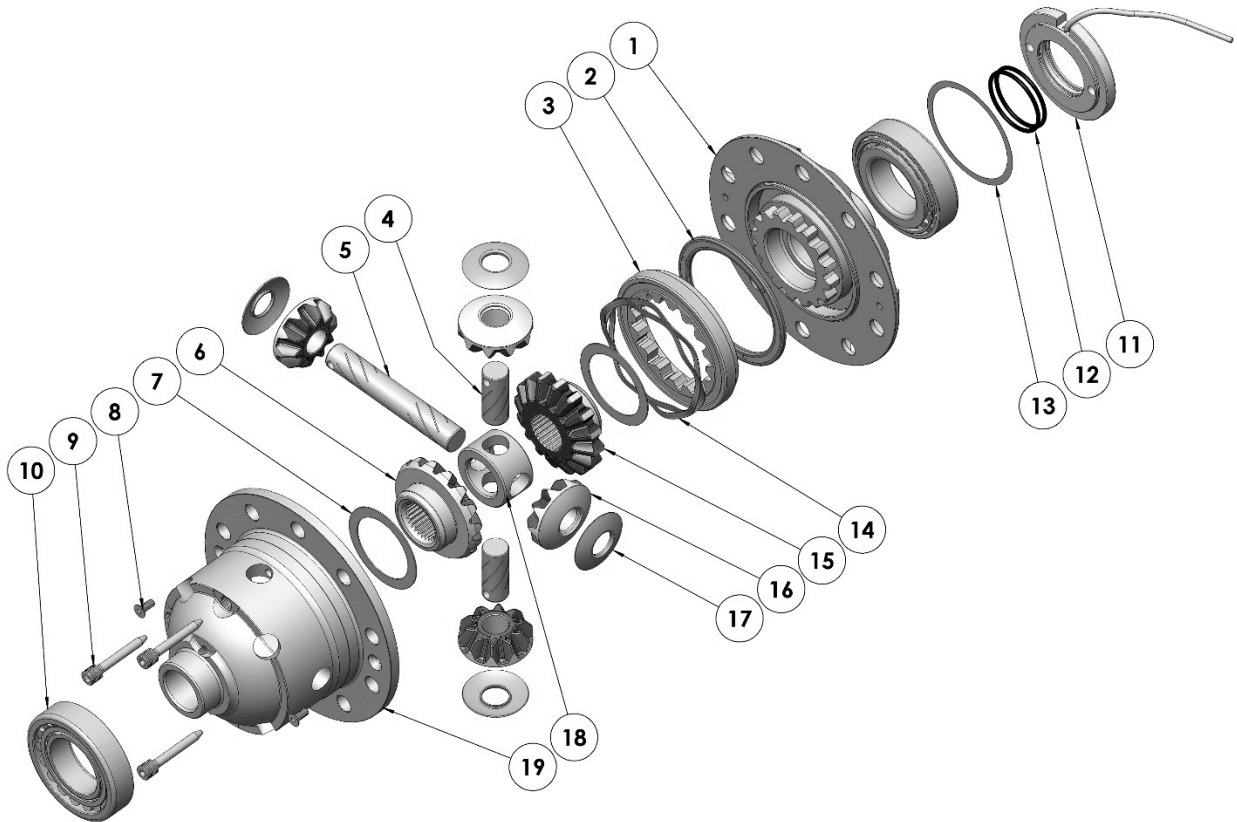
### NOTES

- 1 For replacement O-rings use only BS130 Viton 75.
- 2 Available only as complete 6 gear set # 728J061
- 3 Torque to 58.8 Nm [43 ft-lb], then tighten bolts additionally by turning 34° to 39° further.
- 4 Available only as complete thrust washer kit #730J01
- 5 All diffs produced before serial #17070001 came with 5mm air connection system. For information contact ARB.
- For ratios of 3.69:1 and up, refer to RD230 ([Section 2.230](#))

**RD231**

Nissan R180A,30 SPL,3.54 & DN

### EXPLODED DIAGRAM



### SPECIFICATIONS

|                     |                             |
|---------------------|-----------------------------|
| Axle Spline         | 30 tooth, Ø30.8mm [1.21"]   |
| Ratio Supported     | 3.54 & Down                 |
| Ring Gear ID        | 115.0mm [4.53"]             |
| Ring Gear Bolts     | 10 bolts on Ø142mm [5.59"]  |
| Ring Gear Bolt Size | 12.2mm [0.48"]              |
| Ring Gear Torque    | SEE NOTE 3                  |
| Backlash            | 0.10-0.15mm [0.004"-0.006"] |
| Bearing Cap Torque  | 93 Nm [69 ft-lb]            |

ARB Corporation Ltd • 42-44 Garden St Kilsyth VIC 3137 Australia  
 ARB 4X4 Accessories USA • 4810 D St. NW #103 Auburn WA 98001 USA  
 Australia & International Customer Service • +61 3 9761 6622  
 North America Customer Service • Toll Free 866 293 9078  
 www.arb.com.au (AUS & Int) www.arbusa.com (N. America)

