

**RD56**

Land Rover, 24 SPL, Banjo\*\*

**\*\*THIS MODEL WAS SUPERSEDED BY RD128, CROSSED OUT PARTS NOT AVAILABLE**

### PARTS LIST

| ITEM # | QTY | DESCRIPTION                        | PART #       | NOTES |
|--------|-----|------------------------------------|--------------|-------|
| 01     | 1   | FLANGE CAP                         | 020406       |       |
| 02     | 1   | CLUTCH GEAR                        | 050102       |       |
| 03     | 1   | DIFFERENTIAL CASE                  | 010404       |       |
| 04     | 1   | RETURN SPRINGS (PK OF 4)           | 150101SP     |       |
| 05     | 1   | RETAINING PIN SET (PK OF 2)        | 120102SP     |       |
| *      | 1   | RETAINING PIN SET (PK OF 2)        | 120302SP     |       |
| 06     | 1   | LONG CROSS SHAFT                   | 060103       |       |
| 07     | 2   | SHORT CROSS SHAFT                  | 060303       |       |
| 08     | 1   | PISTON                             | 040103SP     |       |
| 09     | 1   | BONDED SEAL                        | 160701SP     |       |
| 10     | 1   | CYLINDER CAP ASSEMBLY              | 030131       |       |
| 11     | 1   | CYL CAP RETAINING BOLT (PK OF 8)   | 200205SP     |       |
| 12     | 1   | LOCKING TAB (8mm) (PK OF 8)        | 150401SP     |       |
| 13     | 1   | TAPERED ROLLER BEARING             | NOT SUPPLIED |       |
| 14     | 1   | SEAL HOUSING RETAINING CLIP        | 150602SP     |       |
| 15     | 1   | SPLINED SIDE GEAR                  | SEE NOTE     | 2     |
| 16     | 1   | PINION THRUST WASHER (PK OF 4)     | 151101SP     |       |
| 17     | 4   | PINION GEAR                        | SEE NOTE     | 2     |
| 18     | 1   | SPIDER BLOCK                       | 070101       |       |
| 19     | 1   | SIDE GEAR                          | SEE NOTE     | 2     |
| 20     | 1   | S GEAR THRUST WASHER (PK OF 2)     | 151001SP     |       |
| 21     | 1   | ADJUSTER NUT                       | 100201SP     |       |
| 22     | 1   | SEAL HOUSING KIT                   | 082002SP     |       |
| 23     | 1   | SEAL HOUSING O-RINGS (PK OF 2)     | 160235-2     | 1     |
| *      | 1   | BULKHEAD FITTING KIT (O-RING TYPE) | 170111       |       |
| *      | 1   | PUSH-IN FITTING (5mm to 1/8" BSPP) | 170201SP     |       |
| *      | 1   | AIR LINE (5mm DIA X 6m LONG)       | 170301SP     |       |
| *      | 1   | SOLENOID VALVE (12V)               | 180103       |       |
| *      | 1   | SWITCH FR OR RR LOCKER             | 180225       |       |
| *      | 1   | CABLE TIE (PK OF 25)               | 180305       |       |
| *      | 1   | OPERATING & SERVICE MANUAL         | 210200       |       |
| *      | 1   | INSTALLATION GUIDE                 | 210256       |       |

\* *Not illustrated in exploded view*

### NOTES

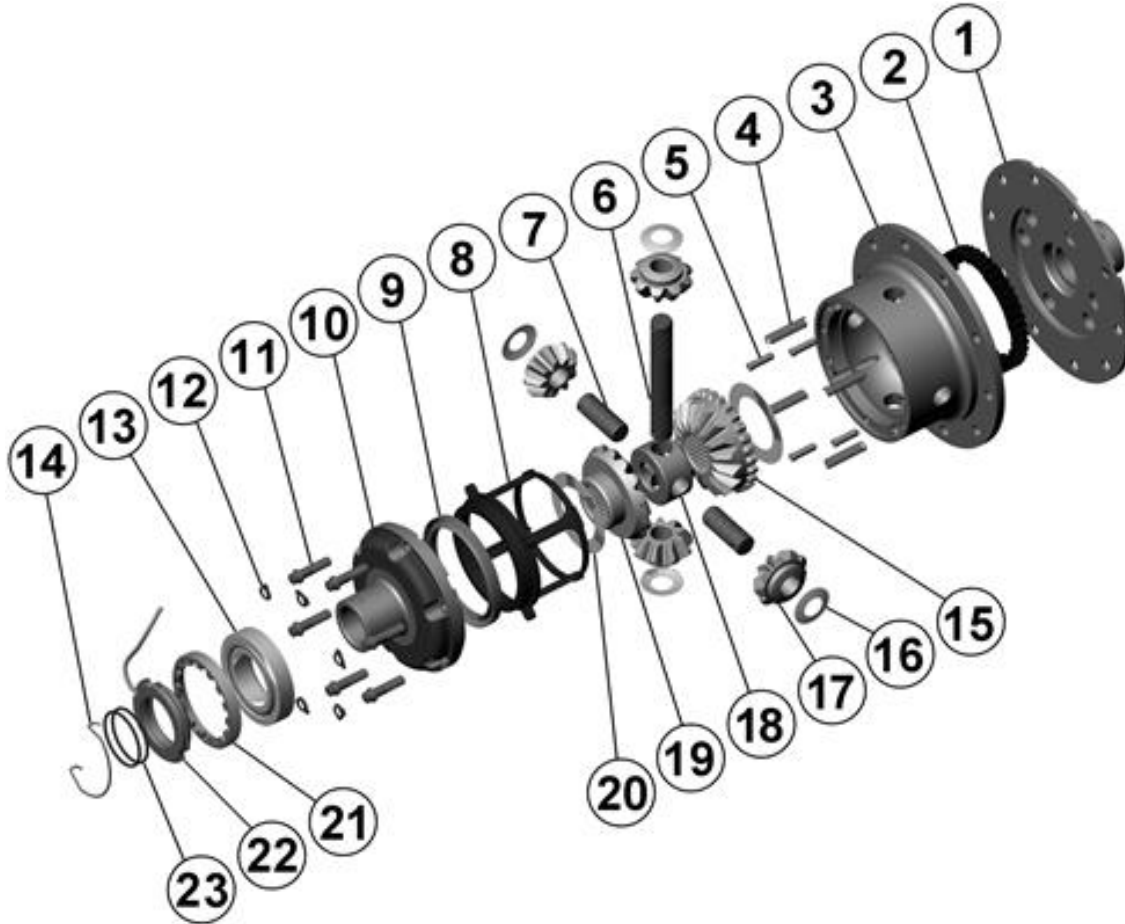
- 1 For replacement O-rings use only BS133 Viton 75.
- 2 Available only as complete 6 gear set # 728B061
- This model replaces the non-traction control differential carrier with a flange diameter of 174mm [6.85"]. For the traction control version with a flange diameter of 205mm [8.07"] refer to RD57 ([Section 2.57](#)).
- 5mm [3/16"] ring gear spacer plate (ARB part# 'RD03A') is available for use with early Land Rover 4.7:1 ratio gear but longer bolts must be used (Land Rover part# 576521).
- Refer to seal housing set-up tech note ([Sec. 5.2](#)).
- Refer to Land Rover axle update tech note for 10 to 24 spline conversion information ([Sec. 5.14](#)).
- Older RD56 models with O-ring grooves in the cylinder cap use; cylinder cap #030124, seal housing #080202 and O-ring BS129 #160221.

**RD56**

Land Rover, 24 SPL, Banjo\*\*

**\*\*THIS MODEL WAS SUPERSEDED BY RD128, CROSSED OUT PARTS NOT AVAILABLE**

### EXPLODED DIAGRAM



### SPECIFICATIONS

|                    |                            |
|--------------------|----------------------------|
| Axle Spline        | 24 tooth, Ø31.5mm [1.24"]  |
| Ratio Supported    | 3.54:1                     |
| Ring Gear ID       | 125.4mm [4.94"]            |
| Ring Gear Bolts    | 10 bolts on Ø142mm [5.59"] |
| Ring Gear Torque   | 58Nm [43 ft-lb]            |
| Backlash           | 0.10-0.17mm [0.004-0.007"] |
| Bearing Cap Torque | 90Nm [66 ft-lb]            |

ARB Corporation Ltd • 42-44 Garden St Kilsyth VIC 3137 Australia  
ARB 4X4 Accessories USA • 4810 D St. NW #103 Auburn WA 98001 USA  
Australia & International Customer Service • +61 3 9761 6622  
North America Customer Service • Toll Free 866 293 9078  
[www.arb.com.au](http://www.arb.com.au) (AUS & Int) [www.arbusa.com](http://www.arbusa.com) (N. America)