

RD65

Dana 70U,35 SPL,4.56 & UP

****THIS MODEL WAS SUPERSEDED BY RD172, CROSSED OUT PARTS NOT AVAILABLE**

PARTS LIST

ITEM #	QTY	DESCRIPTION	PART #	NOTES
01	1	FLANGE CAP	022502	
02	1	CLUTCH GEAR	050401	
03	1	DIFFERENTIAL CASE	012401	
04	1	RETURN SPRINGS (PK OF 4)	150101SP	
05	1	RETAINING PIN SET (PK OF 4)	120301SP	
06	1	LONG CROSS SHAFT	060703	
07	2	SHORT CROSS SHAFT	060802	
08	1	PISTON	040501SP	
09	1	BONDED SEAL	160703SP	
10	1	CYLINDER CAP	030803SP	
11	1	SEAL HOUSING O-RING (PK OF 2)	160207-2	1
12	1	CYL CAP RETAINING BOLT (PK OF 8)	200205SP	
13	1	LOCKING TAB (8mm) (PK OF 8)	150401SP	
14	1	TAPERED ROLLER BEARING	160107	2
15	1	SEAL HOUSING KIT	080701SP	
16	1	SHIM KIT	SHK001	
*	1	MASTER SHIM	150330	
17	1	SPLINED SIDE GEAR	SEE NOTE	3
18	1	PINION THRUST WASHER (PK OF 4)	151104SP	
19	4	PINION GEAR	SEE NOTE	3
20	1	SPIDER BLOCK	070401	
21	1	SIDE GEAR	SEE NOTE	3
22	1	S GEAR THRUST WASHER (PK OF 2)	151004SP	
*	1	BULKHEAD FITTING KIT (O-RING TYPE)	170111	
*	1	PUSH-IN FITTING (5mm to 1/8" BSPP)	170201SP	
*	1	AIR LINE (5mm DIA X 6m LONG)	170301SP	
*	1	SOLENOID VALVE (12V)	180103	
*	1	SWITCH RR LOCKER	180224	
*	1	CABLE TIE (PK OF 25)	180305	
*	1	OPERATING & SERVICE MANUAL	210200	
*	1	INSTALLATION GUIDE	210265	

* *Not illustrated in exploded view*

NOTES

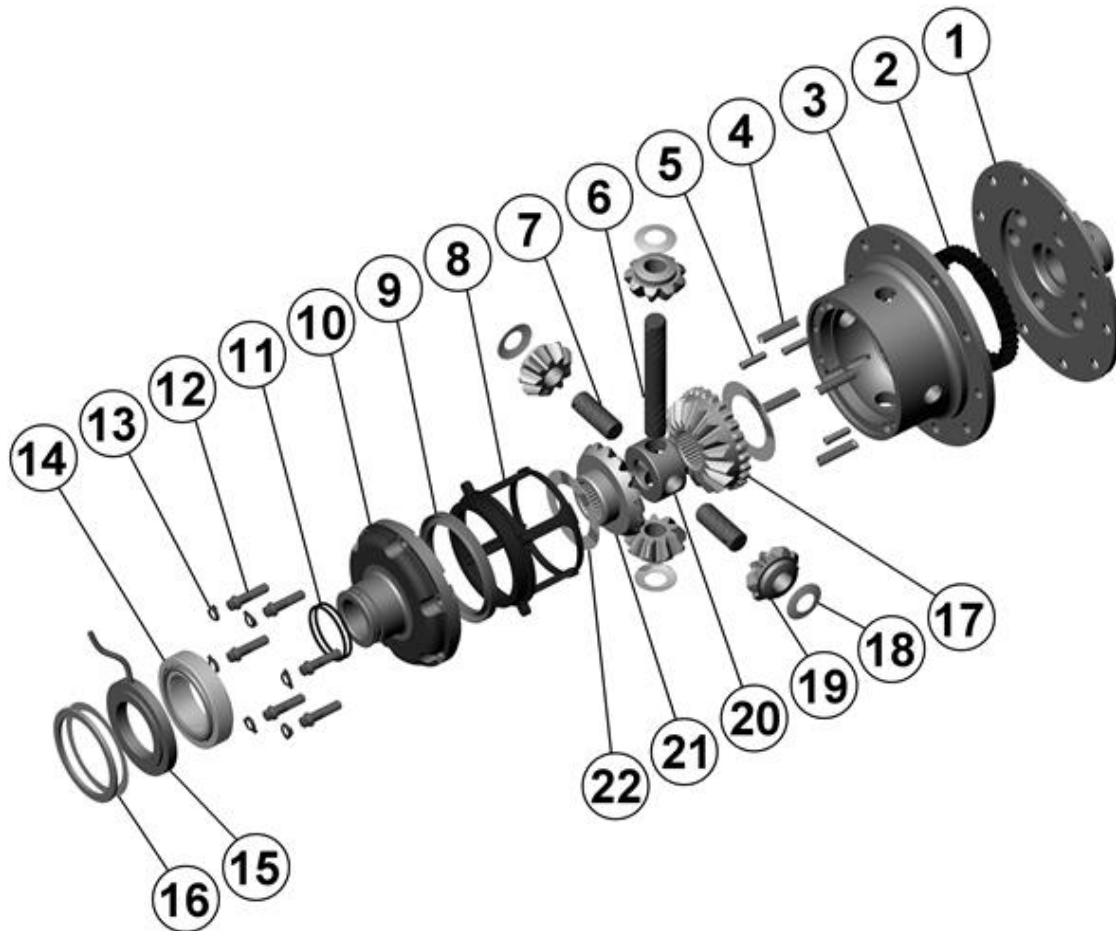
- 1 For replacement O-rings use only BS136 Viton 75.
- 2 For replacement bearing use Timken part # 387A / 382A.
- 3 Available only as complete 6 gear set # 728E014
- For the 35 spline Dana 70H with a carrier bearing OD of 104.78mm [4.125"] refer to RD53 ([Section 2.53](#)).
- For ratios of 4.10:1 and down refer to RD66 ([Section 2.66](#)).

RD65

Dana 70U,35 SPL,4.56 & UP

****THIS MODEL WAS SUPERSEDED BY RD172, CROSSED OUT PARTS NOT AVAILABLE**

EXPLODED DIAGRAM



SPECIFICATIONS

Axle Spline	35 tooth, Ø38.1mm [1.50"]
Ratio Supported	4.56:1 & up
Ring Gear ID	174.9mm [6.89"]
Ring Gear OD	267mm [10.5"]
Ring Gear Bolts	12 bolts on Ø203mm [8.00"]
Ring Gear Torque	149Nm [110 ft-lb]
Backlash	0.15-0.25mm [0.006-0.010"]
Bearing Cap Torque	108Nm [80 ft-lb]
Carrier Bearing OD	96.84mm [3.813"]

ARB Corporation Ltd • 42-44 Garden St Kilsyth VIC 3137 Australia
ARB 4X4 Accessories USA • 4810 D St. NW #103 Auburn WA 98001 USA
Australia & International Customer Service • +61 3 9761 6622
North America Customer Service • Toll Free 866 293 9078
www.arb.com.au (AUS & Int) www.arbusa.com (N. America)