

RD94

Isuzu IFS,17 SPL

****THIS MODEL WAS SUPERSEDED BY RD203, CROSSED OUT PARTS NOT AVAILABLE**

PARTS LIST

ITEM #	QTY	DESCRIPTION	PART #	NOTES
01	1	FLANGE CAP	021804	
02	1	CLUTCH GEAR	050501	
03	1	DIFFERENTIAL CASE	011905	
04	1	RETURN SPRING (PK OF 4)	150102SP	
05	1	RETAINING PIN SET (PK OF 4)	120401SP	
06	1	LONG CROSS SHAFT	061101	
07	2	SHORT CROSS SHAFT	061201	
08	1	PISTON	040601SP	
09	1	U-RING	160303SP	
10	1	CYLINDER CAP	030901	
11	1	SEAL HOUSING O-RING (PK OF 2)	160210-2	1
12	1	CYL CAP RETAINING BOLT (PK OF 8)	200207SP	
13	1	LOCKING TAB (6mm) (PK OF 8)	150402SP	
14	-	TAPERED ROLLER BEARING	NOT SUPPLIED	
15	1	SEAL HOUSING KIT	081605SP	
16	1	SHIM KIT	SHK003	
*	1	MASTER SHIM	150325	
17	1	SPLINED SIDE GEAR	SEE NOTE	2
18	1	PINION THRUST WASHER (PK OF 4)	151107SP	
19	4	PINION GEAR	SEE NOTE	2
20	1	SPIDER BLOCK	070502	
21	1	SIDE GEAR	SEE NOTE	2
22	1	S GEAR THRUST WASHER (PK OF 2)	151005SP	
*	1	BULKHEAD FITTING KIT (O-RING TYPE)	170111	
*	1	PUSH-IN FITTING (5mm to 1/8"BSPP)	170201SP	
*	1	AIR LINE (5mm DIA X 6m LONG)	170301SP	
*	1	SOLENOID VALVE (12V)	180103	
*	1	SWITCH FR LOCKER	180223	
*	1	CABLE TIE (PK OF 25)	180305	
*	1	OPERATING & SERVICE MANUAL	210200	
*	1	INSTALLATION GUIDE	210294	

* *Not illustrated in exploded view*

NOTES

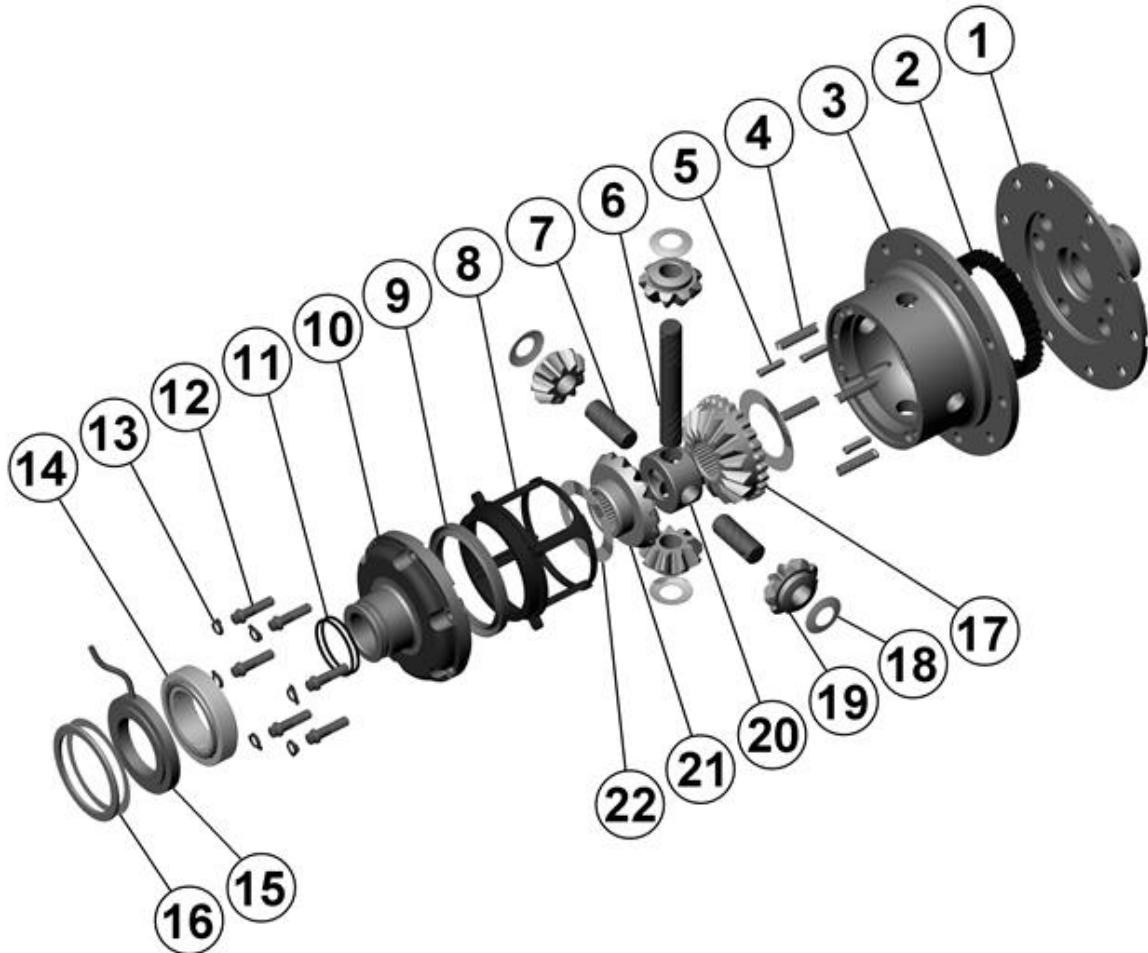
- 1 For replacement O-rings use only BS028 Viton 75.
- 2 Available only as complete 6 gear set # 728F072
- Variation in OE casting may require modification to the bearing cap to clear the cylinder cap.

RD94

Isuzu IFS, 17 SPL

****THIS MODEL WAS SUPERSEDED BY RD203, CROSSED OUT PARTS NOT AVAILABLE**

EXPLODED DIAGRAM



SPECIFICATIONS

Axle Spline	17 tooth, Ø28.4mm [1.12"]
Ratio Supported	All
Ring Gear ID	121.9mm [4.80"]
Ring Gear Bolts	10 bolts on Ø144mm [5.67"]

ARB Corporation Ltd • 42-44 Garden St Kilsyth VIC 3137 Australia
ARB 4X4 Accessories USA • 4810 D St. NW #103 Auburn WA 98001 USA
Australia & International Customer Service • +61 3 9761 6622
North America Customer Service • Toll Free 866 293 9078
www.arb.com.au (AUS & Int) www.arbusa.com (N. America)